



A Benny Lee Company

LOW PROFILE HOODS

DESKTOP ACCESSORIES

FEATURES

DuraComm's desk top hoods are designed to provide radio mounting to any of our desk top power supplies. These covers are customized to fit various radio models. If you do not see the radio model you are looking for, please contact us at sales@duracomm.com or give us a call.



*LPH-KEN/L shown

SECTION GUIDE

HARRIS (M/A COM)

Radio Model	Hood Unit
M7100	LPH-KEN/L
M7300	LPH-KEN/L
Unity XG-100M	LPH-KEN/L

ICOM

Radio Model	Hood Unit
F221S	LPH-ICOM 221S
F621	LPH-KEN/S
F5021	LPH-ICOM 221S
F5061	LPH-KEN-81
F6011	LPH-ICOM 221S
F6021	LPH-ICOM 221S
F6061	LPH-KEN-81
A110	LPH-ICOM 221S

KENWOOD

Radio Model	Hood Unit
30 Series	LPH-KEN/L
40 Series	LPH-KEN/S
60 Series	LPH-KEN/S
80 Series	LPH-KEN/S
90 Series	LPH-KEN/L
NEXEDGE 700	LPH-KEN-81
NEXEDGE 800	LPH-KEN-81
TK 705 / 805	LPH-KEN/S
TK 5710 / 5810	LPH-KEN/L
TK 7150 / 8150	LPH-KEN/L
TK 6110	LPH-KEN-81
TK 7120	LPH-KEN-81
TK 7160 / 8160	LPH-KEN-81
TK 7180 / 8180	LPH-KEN-81
TK 7360 / 8360	LPH-KEN-81

VERTEX

Model Model	Hood Unit
2200	LPH-PM/VTX
41-4200	LPH-PM/VTX
VTX-2100	LPH-MOT/S
VXD-2200	LPH-MOT/S
VX-5500 / 6000	LPH-VX5500

MAXON

Radio Model	Hood Unit
SM-2000	LPH-MAX/GE
SM-2540	LPH-MAX/GE

MIDLAND

Radio Model	Hood Unit
3215	LPH-MOT/CDM
3245	LPH-MOT/CDM
MO-1008	LPH-KEN-81
MO-1016	LPH-KEN-81
MO-4008	LPH-KEN-81
MO-4016	LPH-KEN-81

MOTOROLA

Radio Model	Hood Unit
APX-7500	LPH-MOT/L
ASTRO XTL	LPH-MOT/L
CM Series	LPH-MOT/CDM
GM-300	LPH-MOT/L
M-120	LPH-MOT/L
M-130	LPH-MOT/L
MOT-PM400	LPH-MOT-PM/VTX
MOTO / TRBO	LPH-MOT/S
SM-50	LPH-MOT/S
SM-120	LPH-MOT/S
XPR 4550	LPH-MOT/L
XPR 5350	LPH-MOT/L
XPR 5550	LPH-MOT/L





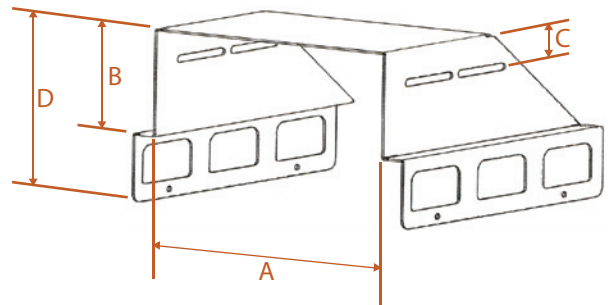
A Benny Lee Company

LOW PROFILE HOODS

DESKTOP ACCESSORIES

DIMENSIONS

Model Number	A	A	B	B	C	C	D	D
LPH-ICOM 221S	5 1/8"	149 mm	2 5/8"	67 mm	(2) 3/4"	(2) 19 mm	4 5/8"	117 mm
LPH-KEN/S	5 5/8"	143 mm	1 5/8"	41 mm	(2) 3/4"	(2) 19 mm	3 5/8"	92 mm
LPH-KEN/L	7 1/16"	179 mm	2 1/2"	64 mm	(3) 1 1/4"	(3) 32 mm	4 1/4"	108 mm
LPH-KEN-81	6 5/16"	160 mm	2 5/8"	67 mm	(2) 1"	(2) 25 mm	4 1/2"	114 mm
LPH-MOT/S	6 1/2"	165 mm	2 1/4"	57 mm	(1) 1 1/8"	(1) 29 mm	4"	102 mm
LPH-MOT/L	7 1/16"	179 mm	2 3/16"	56 mm	(1) 1"	(1) 25 mm	4"	102 mm
LPH-MOT/CDM	6 5/8"	170 mm	2 1/4"	57 mm	(1) 1"	(1) 25 mm	4 1/8"	105 mm
LPH-MOT-PM/VTX	6 5/8"	170 mm	2 1/2"	64 mm	(2) 1 1/8"	(2) 29 mm	4 5/16"	110 mm
LPH-MAX/GE	7 1/16"	179 mm	2 3/8"	60 mm	(1) 1"	(1) 25 mm	4 1/4"	108mm
LPH-VX5500	7 1/16"	179 mm	3 1/4"	82 mm	(2) 3/4"	(2) 19 mm	4 4/16"	110 mm



Model shown is for descriptive purposes only. Each model design will vary based on the radio it is meant to house.