

Date:

For: File Resubmit
 Approval Other _____

PO No.:

Architect:

GC:

Engr:

Mech:

Rep:

(Company)

(Project Manager)



ACCESSORIES

MultiSITE CRC1 Series Remote Controllers



Electrical:

Power	
ZigBee® module	from CRC1 Controller
Window/Door Sensor	Internal battery
Ceiling Sensor	Internal battery
Wall Sensor	Internal battery

Connectivity:

Wireless Communications	2.4GHz mesh network ZigBee® HA1.2 Compatible Range up to 40ft; 300 ft open field
-------------------------	--

Surrounding Conditions:

Ambient Temperature	14-122 °F
---------------------	-----------

MultiSITE CRC1 Series Controllers Accessories (sold separately):

- ZVRCZPWC1 - ZigBee Pro® Wireless Module²
- ZVRCZDWS1 - Wireless Door Window Switch²
- ZVRCZCOC1 - Wireless Ceiling Mounted Occupancy Sensor²
- ZVRCZWOC1 - Wireless Wall Mounted Occupancy Sensor²

Notes:

1. Available functions/features may differ based on connected system.
2. Up to 10 door/window switches and ceiling/wall mounted sensors can be connected to a MultiSITE CRC1 Series Remote Controller.
3. Must follow installation instructions in the applicable LG installation manual.



ACCESSORIES

MultiSITE CRC1 Series Remote Controllers



Tag #:

Date:

PO No.:

ZVRCZDWS1 Door/Window Switch

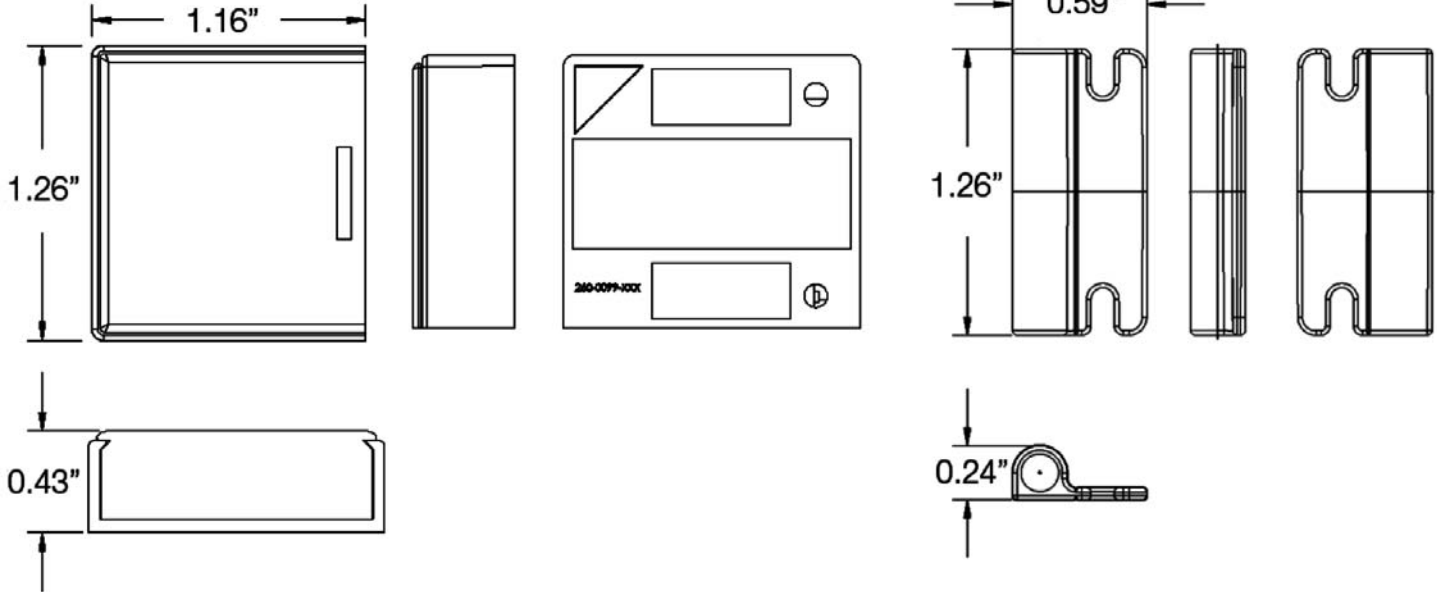
Sensor Dimensions: 1.26" W x 1.16" H x 0.43" D

Magnet Dimensions: 0.59" W x 1.26" H x 0.24" D

Battery Voltage: 3.0VDC Lithium

Battery Cell: CRC2032 (Up to 5 years)

Ambient Temperature: 14°F to 122°F (-10°C to 50°C)



ACCESSORIES

MultiSITE CRC1 Series Remote Controllers



Tag #:

Date:

PO No.:

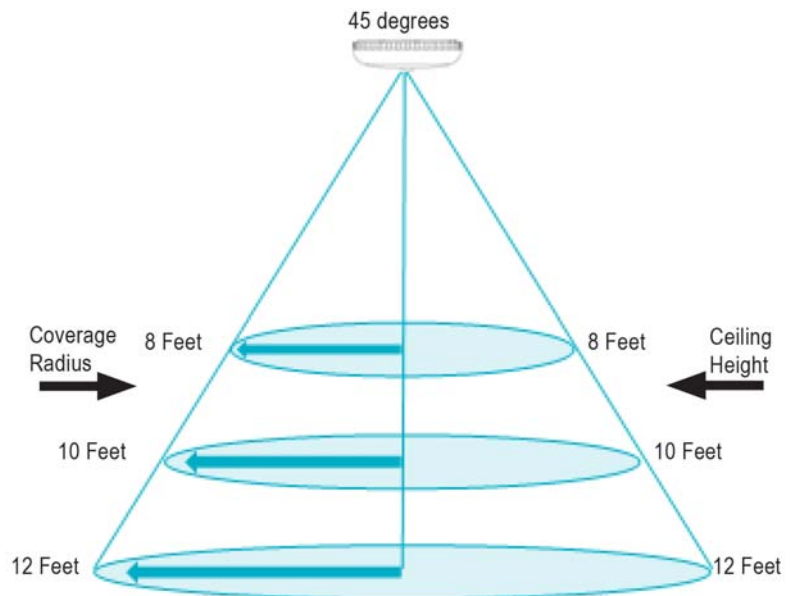
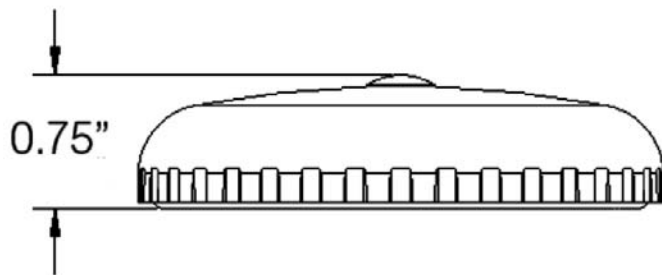
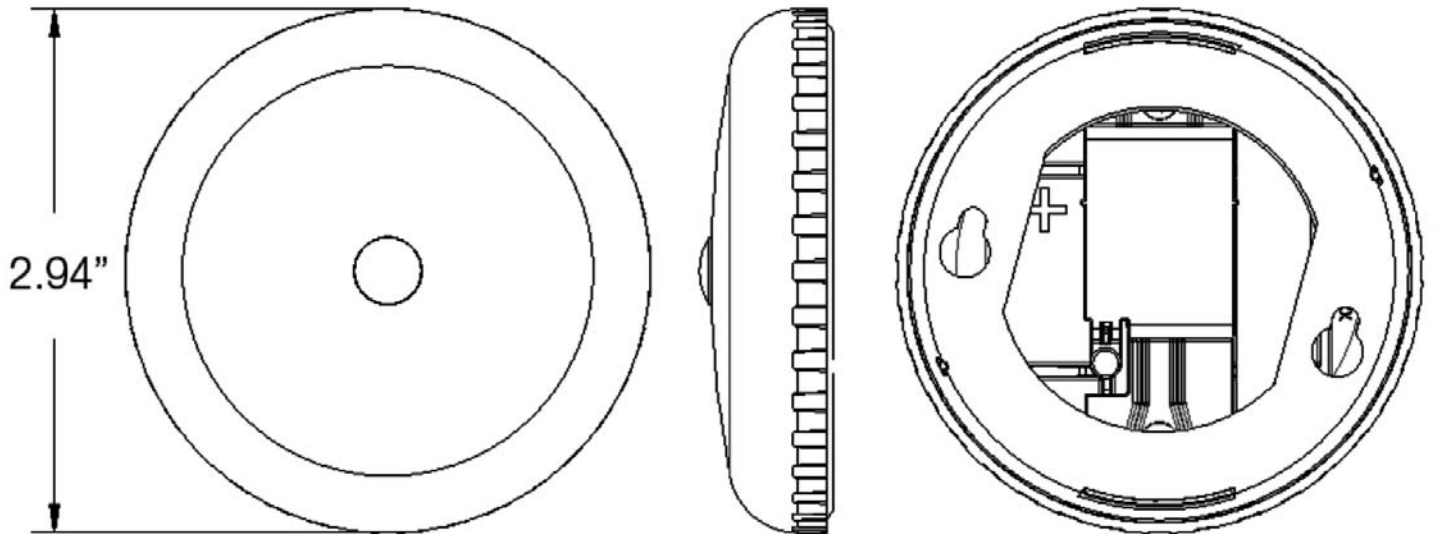
ZVRCZCOC1 Ceiling Mounted Occupancy Sensor

Dimensions: 2.94in diameter x 0.75in thick

Battery Voltage: 1.5VDC Alkaline

Battery Cell: 2 x AAA (Up to 5 years)

Ambient Temperature: 14°F to 122°F (-10°C to 50°C)



Note: Position the ceiling motion sensor for best use of its detection zones. All measurements are approximate and will vary with installation.

ACCESSORIES
MultiSITE CRC1 Series Remote Controllers



Tag #: _____
Date: _____
PO No.: _____

ZVRCZWOC1 Wall Mounted Occupancy Sensor

Dimensions: 1.14in wide x 2.56in high x 0.99in thick

Battery Voltage: 3.0VDC Lithium

Battery Cell: CR2 (Up to 5 years)

Ambient Temperature: 14°F to 122°F (-10°C to 50°C)

