

Job Name/Location:

Tag #:

Date:

For:	File	Resubmit
	Approval	Other _____

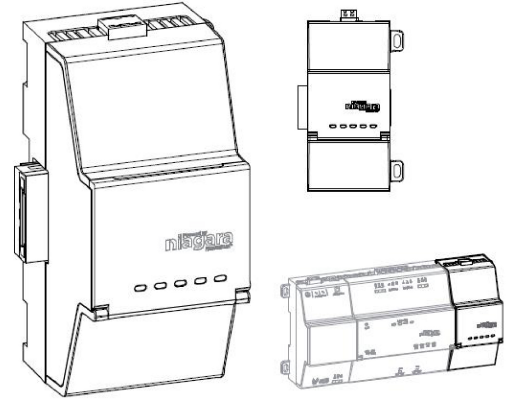
PO No.:

Architect: GC:

Engr: Mech:

Rep: (Company) (Project Manager)

**ZHWLONWK0**  
**MultiSITE™ LON Module**  
 Accessory for MultiSITE™ controllers



**Unit Data:**

Maximum number of LON modules	1 for each MultiSITE Communications Manager 4 for each MultiSITE VM3 controller
Maximum number of LG devices	40
Maximum number of LON Nodes per LON Bus	64 Note: This applies only to MultiSITE VM3. Additional licenses may be required.
Dimensions	3.15"W x 4.33"H x 2.40"D
Supported Network Protocol	LonWorks®
Transceiver	FTT-10A

LonWorks is a registered trademark of Echelon Corporation.

**Communications Cabling Specifications:**

Type	Type 2-conductor, stranded, shielded copper cable/ PVC or vinyl jacket
Size	Connector accepts 12 – 26 AWG.
Recommended Size	AWG 16 x 2. Follow standard FTT-10A Cabling Specifications.
Length	Maximum 3,900 ft per segment

Note: Follow standard FTT-10A Specifications (ECHELON Corporation Document 078-0156-01G).

**Surrounding Conditions:**

Operating Temperature	-4 to 140 °F
Storage Temperature	-40 to 185 °F
Humidity	5 to 95% (non-condensing)

**Electrical:**

Powered by MultiSITE Communications Manager or MultiSITE VM3 controller

**Standard Features:**

FTT-10A LON (LonWorks) adapter with a 2-position removable screw-terminal connector plug for MultiSITE Communications Manager or MultiSITE VM3 controller.

**Notes:**

1. Must follow installation instructions in the applicable LG installation manual.
2. Available functions / features may differ based on the connected system.

For a complete list of available accessories, contact your LG representative.  
 For continual product development, LG reserves the right to change specifications without notice.  
 © LG Electronics U.S.A., Inc., Englewood Cliffs, NJ. All rights reserved. "LG Life's Good" is a registered trademark of LG Corp. /www.lghvac.com

Job Name/Location: \_\_\_\_\_

**ZHWLONWK0**  
MultiSITE™ LON Module

Accessory for MultiSITE™ controllers

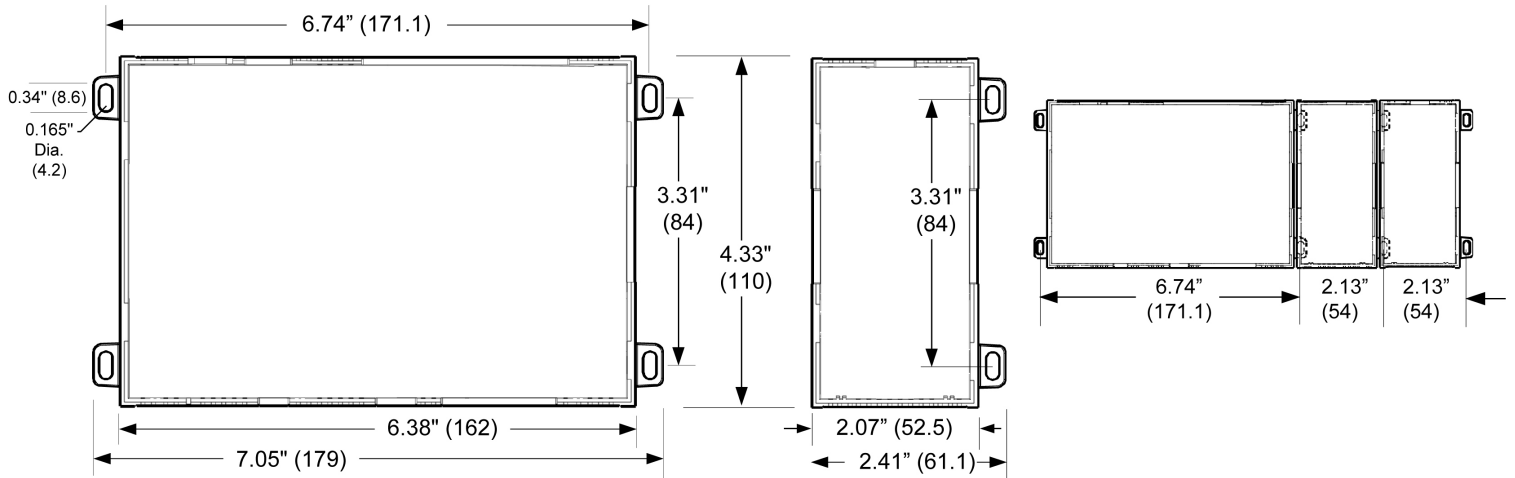


Tag No.: \_\_\_\_\_

Date: \_\_\_\_\_

PO No.: \_\_\_\_\_

MultiSITE LON Mounting Dimensions



Compatible with (DIN43880) enclosures. Suitable for mounting to a panel or to an EN50022 standard 35mm rail. Measurements shown are in inches and (mm.)