

Wired Remote Controller (Touch Panel)

Job Name: _____
 Location: _____
 Engineer: _____
 Submitted to: _____
 Submitted by: _____
 Reference: _____

Date: _____
 Approval: _____
 Construction: _____
 Unit #: _____
 Drawing #: _____



ELECTRICAL

Power Supply DC (V)	12
Power Consumption(W)	Max 0.3
Wire Type	Polar 2 core sheathed Pair cable
Wire Size AWG (mm)	22 to 16 (0.33to 1.25)

TEMPERATURE SETTING RANGE

Cooling °F (°C)	64-88 (18-30)
Heating °F (°C)	60-88 (15-30)

WEIGHT AND DIMENSIONS

Weight oz. (g)	8 (220)
H x W x D: inches	4-3/4 x 4-3/4 x 11/161
H x W x D (mm)	(120 x 120 x 20.4)

COMPATIBLE UNITS

ARU-RGLX	ASU30RLE
AUU-RGLX	AMUG-LMAS
ASUG-LMAS	ASUH-LMAH1
ASUG-LZAS	-

GENERAL INFO

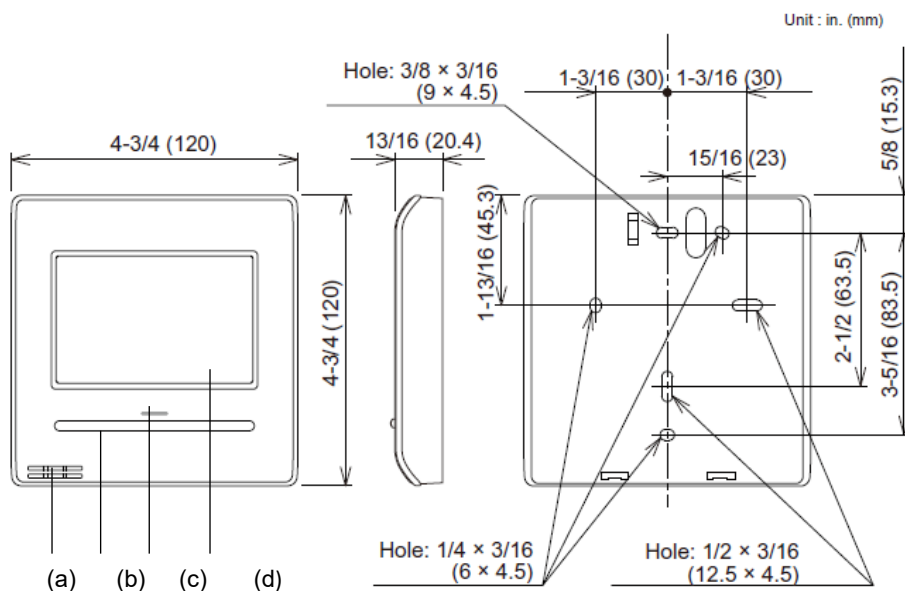
Wired touch screen remote controller with backlight that connects to the Halcyon indoor units using 2-wires

GENERAL FEATURES

- Operation modes: Custom Auto/Cool/Dry/Fan/Heat
- Touch panel w/ backlit display
- Room air temperature display
- Room temperature offset
- Service Menu functionality
- Lead-Lag operation
- Back-up operation
- Group & Individual Control:
 - Up to 16 individual indoor units can be simultaneously controlled.
- Human Sensor Setting:
 - * **Please note only available on select indoor unit models**
 - Controls the temperature setting when no one is occupying the room to save energy costs.)
- Weekly Timer Setting:
 - Weekly operation schedule can be set. Two schedule patterns can be created, up to 8-time settings for each day.
- Emergency heat function:
 - Switching between normal heating and emergency heating operation based on instructions from controller.

Wired Remote Controller (Touch Panel)

Dimensions:



- (a) Room temperature sensor
- (b) Operation (occupied/unoccupied) button
- (c) LED lamp (operation indicator)
- (d) Touch panel display