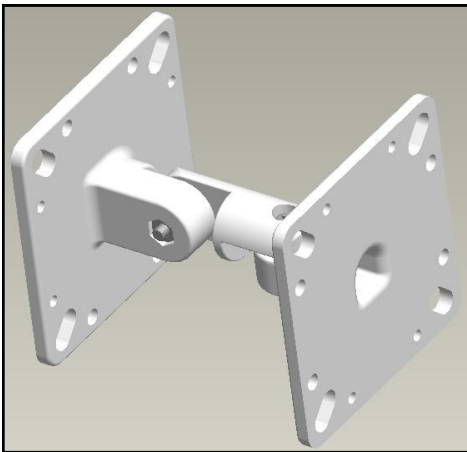
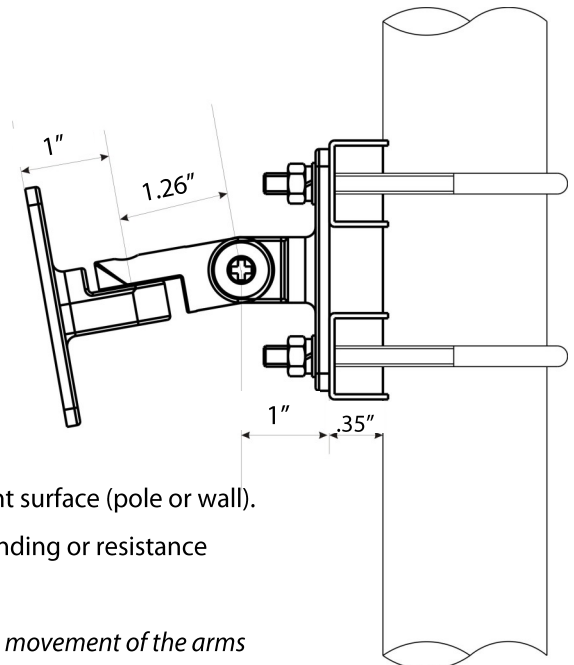
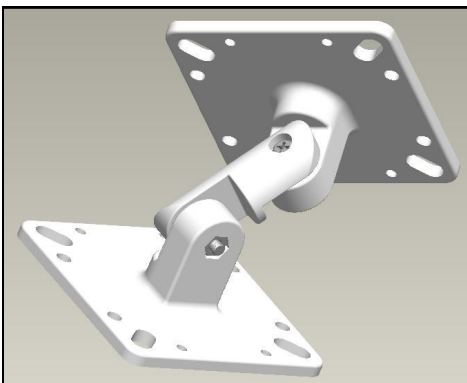


Universal Articulating Mount

Ventev's Universal Articulating Mount offers an easy solution for mounting wall or mast mounted antennas and other WLAN accessories. The rugged, aluminum mount has a sleek design and accommodates almost all types of low profile antennas for both indoor and outdoor applications regardless of polarization types. *All Ventev mounts are covered by the company's two-year TerraNet warranty. For questions and to purchase product, contact Ventev: 800.851.4965 or sales@ventev.com.*



Specifications	
SKU	377750
Model	TW-ART-MOUNTT-W
Dimensions	2.75" x 2.75" x 3.15"
Weight	0.40 lbs
Material	Aluminum
Operating Temperature Range	-40°F to +158°F
Mounting Style	Wall Mount / Mast Mount
Mast Diameter	1 3/16" - 1 47/64"



Installation Instructions:

1. Securely fasten one end of the Universal Articulating Mount to the mount surface (pole or wall).
2. Fully loosen both of the articulating mount arms. There should be no binding or resistance to the arms movement.

Note: Do not force movement of the arms if resistance or binding is felt. Forcing movement of the arms could result in breakage.

3. Position the arms in the desired locations.
4. Tighten the arms in sequence, starting with the arm closest to the mount surface.
5. Secure the Antenna to the Universal Articulating Mount once the arms are tightened in the desired positions.

Note: Breakage of the Mount caused by failure to fully loosen the articulating mount arms voids the TerraNet Warranty.

Universal Articulating Mount

