



T855

Pro1 Technologies

1111 S. Glenstone Ave., Suite 3 -100
 Springfield, MO 65804
 Toll Free: 888-776-1427
 Web: www.pro1iaq.com
 Hours of Operation: M-F 9AM - 6PM Eastern

Thermostat Application Guide

| Description | |
|---|-----|
| Gas or Oil Heat | Yes |
| Electric Furnace | Yes |
| Heat Pump (No Aux. or Emergency Heat) | Yes |
| Heat Pump (With Aux. or Emergency Heat) | Yes |
| Multi-Stage Systems | Yes |
| Heat Only Systems | Yes |
| Cool Only Systems | Yes |
| Millivolt | Yes |

Power Type

Battery Power
 Hardwire (Common Wire)
 Hardwire (Common Wire) with Battery Backup

A trained, experienced technician must install this product.

Carefully read these instructions. You could damage this product or cause a hazardous condition if you fail to follow these instructions.

Una version en español de este manual se puede descargar en la pagina web de la compañía.

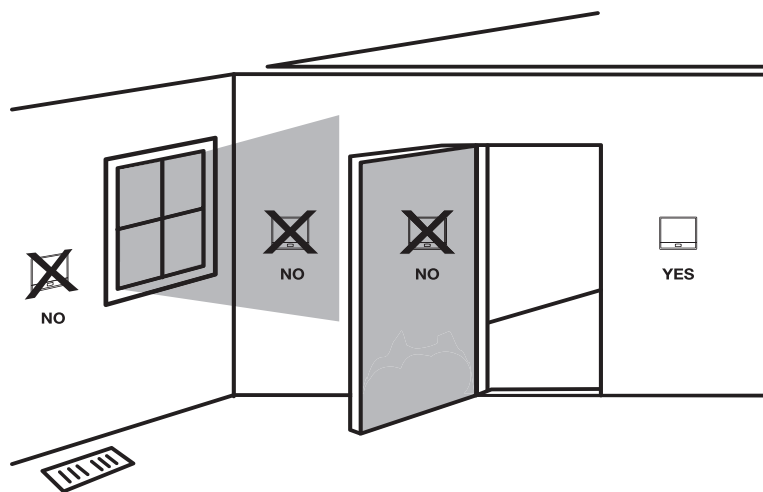
Table of Contents

Page

| | |
|----------------------------|-------|
| Installation Tips | 2-4 |
| Thermostat Quick Reference | 5-7 |
| Private Label Badge | 8 |
| Wiring | 9-10 |
| Wiring Diagrams | 11-12 |
| Technician Setup Menu | 13-19 |
| Programming | 20-27 |
| Features | 28-29 |
| Specifications | 30 |

Wall Locations

The thermostat should be installed approximately 4 to 5 feet above the floor. Select an area with average temperature and good air circulation.



Do not install thermostat in these locations:

- Close to hot or cold air ducts
- That are in direct sunlight
- With an outside wall behind the thermostat
- In areas that do not require conditioning
- Where there are dead spots or drafts (in corners or behind doors)
- Where there might be concealed chimneys or pipes

Installation Tip

Pick an installation location that is easy for the user to access. The temperature of the location should be representative of the building.

1 © U.S. Registered Trademark. Patents pending
 Copyright © 2017 All Rights Reserved.

Rev. 1712

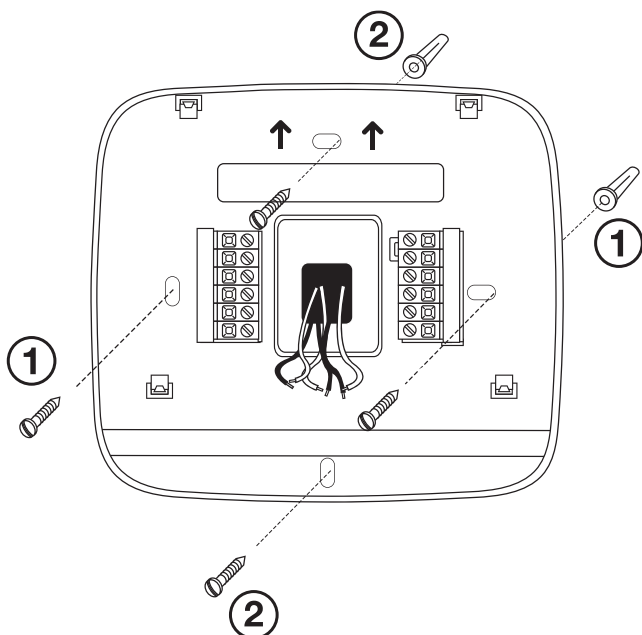
2

Installation Tips

Subbase Installation

Installation Tips

Mount Thermostat



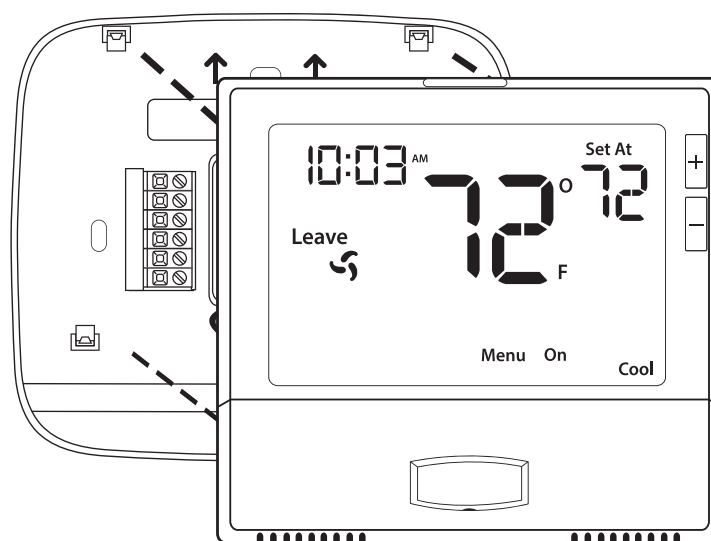
- Horizontal Mount** For horizontal mount put one screw on the left and one screw on the right.
- Vertical Mount** For vertical mount put one screw on the top and one screw on the bottom.

Installation Tip: Electrical Hazard

Failure to disconnect the power before beginning to install this product can cause electrical shock or equipment damage.

Mercury Notice

All of our products are mercury free. However, if the product you are replacing contains mercury, dispose of it properly. Your local waste management authority can give you instructions on recycling and proper disposal.



Align the 4 tabs on the subbase with corresponding slots on the back of the thermostat, then push gently until the thermostat snaps in place.

Note: To ensure a solid fit between the thermostat and the subbase:

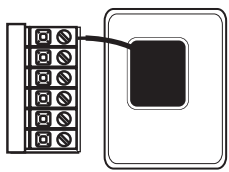
1. Mount subbase to a flat wall
2. Use screws provided
3. Drywall anchors should be flush with the wall
4. Wires should be pushed into the wall

3

4

Battery Installation

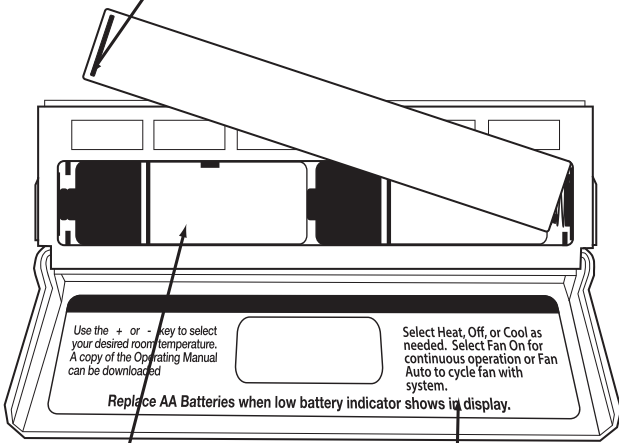
Battery installation is recommended even if the thermostat is hardwired (C terminal connected). When the thermostat is hardwired and batteries are installed, the thermostat will activate a compressor delay of 5 minutes when it detects a power outage from the hardwired power supply.



Important:

High quality alkaline batteries are recommended. Rechargeable batteries or low quality batteries do not guarantee a 1-year life span.

To release battery cover press finger bevel on the left side and lift the cover to access batteries.



Insert 2 AA Alkaline batteries (included). High quality alkaline batteries are recommended.

Simple operating instructions are found on the back of the battery door.

Wiring



Caution: Electrical Hazard

Failure to disconnect the power before beginning to install this product can cause electrical shock or equipment damage.



Warning:

All components of the control system and the thermostat installation must conform to Class II circuits per the NEC Code.

Wiring

1. If you are replacing a thermostat, make note of the terminal connections on the thermostat that is being replaced. In some cases the wiring connections will not be color coded. For example, the green wire may not be connected to the **G** terminal.
2. Loosen the terminal block screws. Insert wires then retighten the terminal block screws.
3. Place nonflammable insulation into the wall opening to prevent drafts.



Installation Tip

Do not overtighten terminal block screws, as this can damage the terminal block. A damaged terminal block can keep the thermostat from fitting on the subbase correctly or cause system operation issues.

Max Torque = 6in-lbs.

Wiring Tips

C Terminal

The C (common wire) terminal does not have to be connected when the thermostat is powered by batteries.

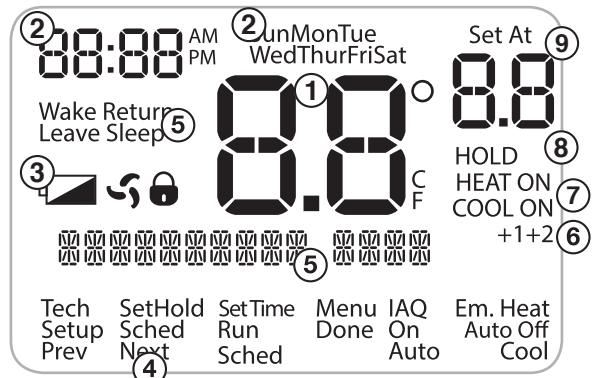
Note:

In many heat pump systems with no emergency heat relay, a jumper can be installed between **E** and **W2** to turn thermostat into a single stage control for Emergency Heat Operation.

Wire Specifications

Use shielded or non-shielded 18-22 gauge thermostat wire.

Getting to know your thermostat



- 1 **Indicates the current room temperature**
- 2 **Time and day of the week**
- 3 **Low Battery Indicator:** Replace batteries when this indicator is shown.
- 4 **Program Menu Options:** Show different options during programming.
- 5 **Program Time Periods - Residential:** Uses 4 time periods - WAKE, RETURN, LEAVE & SLEEP. **Commercial:** Uses 2 or 4 time periods that appear in the text field - Occupied & Unoccupied.
- 6 **Staging Indicators:** +1 will appear in the display when second stage of heat or cool is on. +2 will appear for the third stage of heat.
- 7 **System Operation Indicators:** If these or the Fan indicator are flashing, it means that the system is in a delay of some type (compressor delay, cooling fan delay, staging delay).
- 8 **Hold:** is displayed when the thermostat program is permanently overridden.
- 9 **Setpoint:** Displays the user selectable setpoint temperature.



Important

The low battery indicator is displayed when the AA battery power is low. If the user fails to replace the battery within 21 days, the screen will only show the low battery indicator but maintain all functionality. If the user fails to replace the batteries after an additional 21 days (days 22-42 since first "low battery" display) the setpoints will change to 55°F (Heating) and 85°F (Cooling). If the user adjusts the setpoint away from either of these, it will hold for 4 hours then return to either 55°F or 85°F. After day 63 the batteries must be replaced immediately to avoid freezing or overheating because the thermostat will shut the unit off until the batteries are changed.

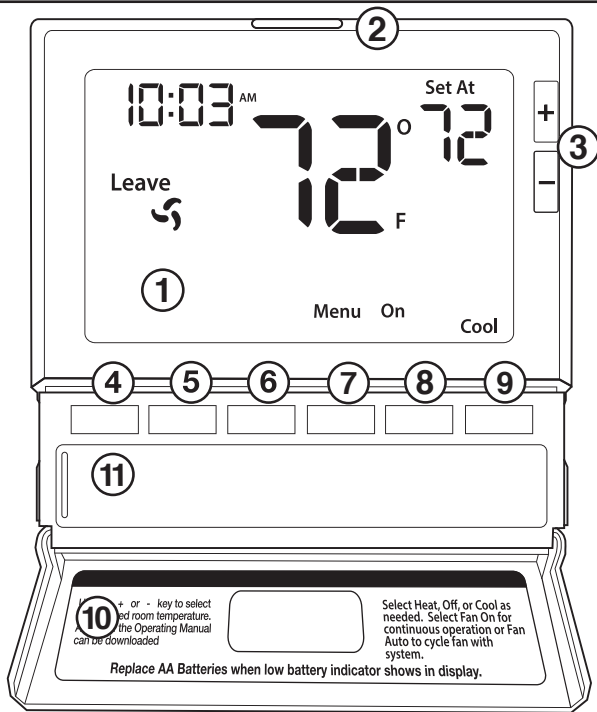
Wiring

Terminal Designations

This thermostat is shipped from the factory to operate a conventional heating and cooling system. This thermostat may also be configured for a heat pump system. See the "heat pump" configuration step on page 17 of this manual to configure the thermostat for heat pump applications.

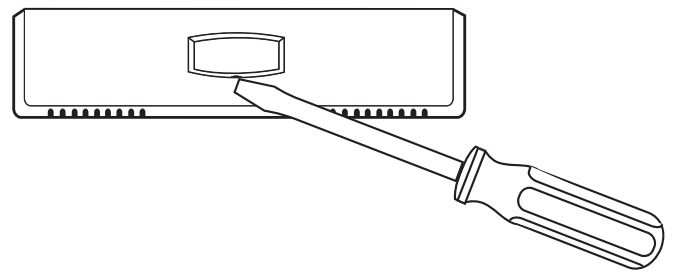
| Terminal | 2 Heat 2 Cool Conventional System | 2 Heat 2 Cool Heat Pump System | 3 Heat 2 Cool Heat Pump System |
|----------|-----------------------------------|---|---|
| RC | Transformer power (cooling) | Transformer power (cooling) | Transformer power (cooling) |
| RH | Transformer power (heating) | Transformer power (heating) | Transformer power (heating) |
| C | Transformer common | Transformer common | Transformer common |
| B | Energized in heating | Heat pump changeover valve energized in heating | Heat pump changeover valve energized in heating |
| O | Energized in cooling | Heat pump changeover valve energized in cooling | Heat pump changeover valve energized in cooling |
| G | Fan relay | Fan relay | Fan relay |
| W/E | First stage of heat | First stage of emergency heat | First stage of emergency heat |
| Y | First stage of cool | First stage of heat & cool | First stage of heat & cool |
| Y2 | Second stage of cool | Second stage of cool | Second stage of cool & second stage of heat |
| W2 | Second stage of heat | Auxiliary heat relay, second stage of heat | Auxiliary heat relay, third stage of heat |

Getting to know your thermostat



About The Badge

All of our thermostats use the same universal magnetic badge. Visit the company website to learn more about our free private label program.



Use the bevel on lower ridge



Magnet in door

Gently slide a screwdriver into the bottom edge of the badge. Gently turn the screwdriver counter clockwise. The badge is held on by a magnet in the well of the battery door. The badge should pry off easily. **DO NOT USE FORCE.**

- ① LCD Display
- ② Glow in the dark light button
- ③ Setpoint buttons
- ④-⑥ Program buttons
- ⑦ Menu button
- ⑧ Fan button
- ⑨ System button
- ⑩ Button/battery access door
- ⑪ Battery cover

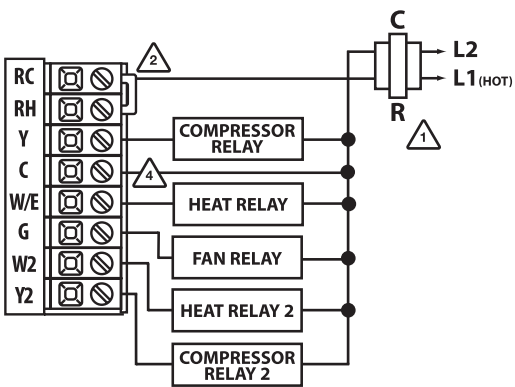
7

8

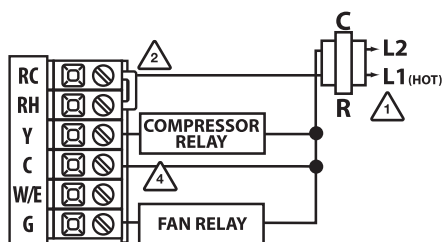
Wiring Diagrams

- ① Power supply
- ② Factory-installed jumper. Remove only when installing on 2-transformer systems

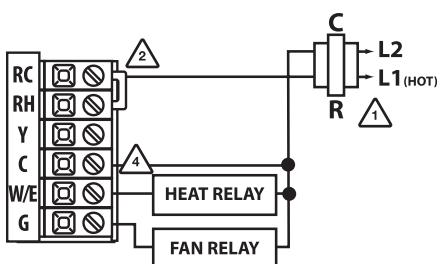
Typical 2H/2C System: 1 Transformer



Typical Cool-Only System



Typical Heat Only System With Fan

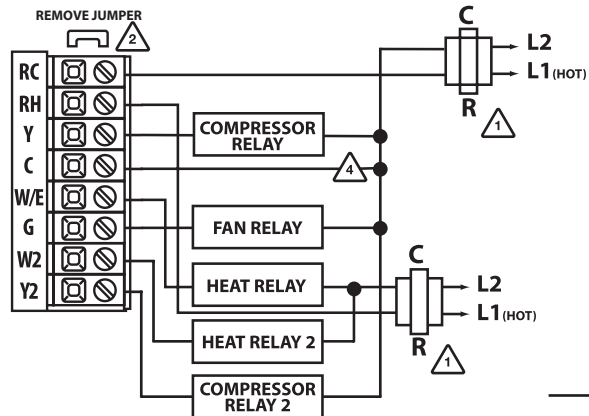


11

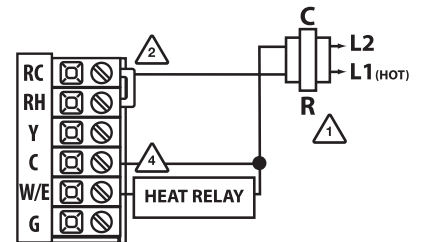
Wiring Diagrams

- ③ Use either O or B terminals for changeover valve
- ④ Optional 24 VAC common connection when thermostat is used in battery power mode

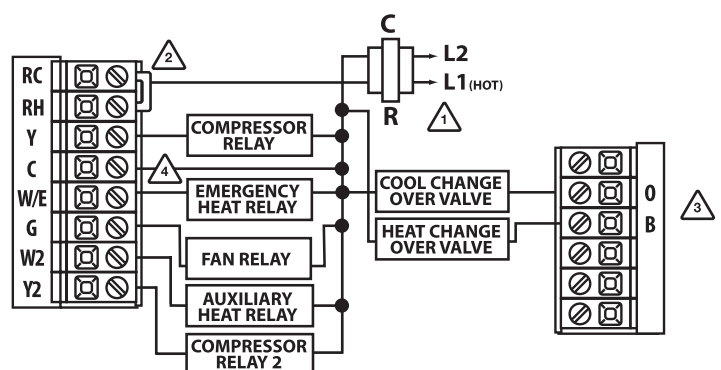
Typical 2H/2C System: 2 Transformer



Typical Heat-Only System



Typical 3H/2C or 2H/1C Heat Pump System



12

Technician Setup Menu

This thermostat has a technician setup menu for easy installer configuration. To set up the thermostat for your particular application:

1. Press the **MENU** button.
2. Press and hold the **TECH SET** button for 3 seconds. This 3 second delay is designed so that homeowners do not accidentally access the installer settings.
3. Configure the installer options as desired using the table below.

Use the **+** or **-** keys to change settings and the **NEXT STEP** or **PREV STEP** key to move from one step to another. **Note:** Only press the **DONE** key when you want to exit the Technician Setup options.

4. Press the **DONE** key to exit.

| Tech Setup Steps | LCD Will Show | Adjustment Options | Default |
|------------------------------|--------------------------|--|---------|
| Filter Change Reminder | OFF SE FILTER 0000 | You can adjust the filter change reminder from "OFF" to 2000 hours of runtime in 50 hour increments. | OFF |
| Room Temperature Calibration | CAL 0° CALIBRATE | You can adjust the room temperature display to read up to 4° above or below the factory calibrated reading. | 0°F |
| Minimum Compressor On Time | OFF ON AN MIN COMP | You can set the minimum compressor run time to "OFF", "3", "4", or "5" minutes. If 3, 4 or 5 is selected, the compressor will run for at least the selected time before turning off. | OFF |

Keypad Lockout Note: The selected keypad lockout functionality must be activated after exiting tech setup. If you do not perform this procedure, all keys will function freely. To lock the keypad hold down the **+** and **-** keys for 3 seconds. You will see a lock in the display. To unlock the display hold down the **+** and **-** keys for 3 seconds.

Technician Setup Menu

| Tech Setup Steps | LCD Will Show | Adjustment Options | Default |
|------------------------------|---------------------------|---|---------|
| Compressor Short Cycle Delay | ON OF CO COMP DELAY | The compressor short cycle delay protects the compressor from "short cycling". This feature will not allow the compressor to be turned on for 5 minutes after it was last turned off. | ON |
| Cooling Swing | dFCO 0.5 COOL SWING | The swing setting often called "cycle rate", "differential" or "anticipation" is adjustable. A smaller swing setting will cause more frequent cycles and a larger swing setting will cause fewer cycles. | 0.5° |
| Heating Swing | dFHE 0.4 HEAT SWING | The swing setting often called "cycle rate", "differential", or "anticipation" is adjustable. A smaller swing setting will cause more frequent cycles and a larger swing setting will cause fewer cycles. | 0.4° |
| Keypad Lockout | PA KEY LOCK | Keypad lockout allows you to configure the thermostat so that some or all of the keys don't function. OF= keypad lockout has been disabled. PA= partial keypad lockout, which locks all the keys except the + or - keys. FU= full keypad lockout, which locks out all the keys. See Keypad Lockout Note | OF |

Swing Setting Tip

The second stage will turn on at 2x the swing setting. The second stage will turn off when 1x the swing is reached. For example, if the swing setting is .5 degrees for heating and the thermostat is set at 70°F, the first stage will turn on at approximately 69.5°F. The second stage will turn on at 69°F. The second stage will turn off at 69.5°F and the first will turn off at 70.5°F. If the third stage is used, it will turn on at 68.5°F and turn off at approximately 69°F.

13

14

Technician Setup Menu

| Tech Setup Steps | LCD Will Show | Adjustment Options | Default |
|--|-----------------------------------|--|---------------------|
| Heat Pump | OFF HEAT PUMP | OFF configures the thermostat for non heat pump systems. ON configures the thermostat for heat pump systems. | OFF |
| System Set | HEAT OFF COOL SYSTEM SET | Use the + or - key until the desired application is flashing. AUTO = Auto changeover | HEAT OFF COOL |
| Dual Fuel Auxiliary for Heat Pump <small>Will only appear if Heat Pump setting is turned ON</small> | ON AG | OFF Will allow Y(1st stage of Heat) and W2 (Aux Heat) to run together if called for. ON Will de-energize Y terminal 45 seconds after a call for Auxiliary Heat (W2). | OFF |
| Stages of Heat | 2H2C | Use the + or - key to change between 2 or 3 stages of heat. 2 heat will use Y1 as first stage and W2 as auxiliary. 3 heat will use Y1 as the first stage, Y2 as the second stage and W2 as the auxiliary. | 2 STAGES |

Technician Setup Menu

| Tech Setup Steps | LCD Will Show | Adjustment Options | Default |
|-------------------|-----------------------------|--|---------|
| Cooling Fan Delay | OFF COOL FAN DL | The cooling fan delay setting will delay the fan from coming on in cool mode and keep it running after the compressor shuts off for a short time to save energy in some systems. | OFF |
| IAQ Mode Cycle | OFF IAQ MODE CYCLE | This feature will configure the fan to run a selected number of cycles per hour. Note: This mode can be enabled or disabled at anytime during normal operation by selecting IAQ mode with the fan key. | OFF |
| IAQ Mode Minutes | 1 IAQ MODE MINUT | This allows you to select the minimum number of minutes that the fan will run per IAQ mode cycle. The thermostat will keep track of fan runtime from normal heat and cool operation. If additional fan runtime is needed, the thermostat will run the fan to satisfy the IAQ mode minutes. | 1 |
| Satisfy Setpoint | ON SS STAG ING | This feature allows the thermostat to keep multiple stages of heat or cool energized until the setpoint is satisfied. | OFF |
| Staging Delay | 5 STAG ING d I | This feature allows a delay to occur if an additional stage is needed. This allows the previous stage extra time to satisfy the setpoint. | OFF |

17

18

Technician Setup Menu

| Tech Setup Steps | LCD Will Show | Adjustment Options | Default |
|---|------------------|--|------------------|
| Heating Temperature Setpoint Limit This feature allows you to set a maximum heating setpoint limit. The setpoint temperature cannot be raised above this value. | 90 HE | Use the + or - key to select the maximum heat setpoint. | 90°F |
| Cooling Temperature Setpoint Limit This feature allows you to set a minimum cooling setpoint limit. The setpoint temperature cannot be lowered below this value. | 44 CO | Use the + or - key to select the minimum cool setpoint. | 44°F |
| °F or °C This feature allows you to display temperatures in either Fahrenheit or Celsius. | °F 78° F | °F for Fahrenheit °C for Celsius | °F |
| 12 or 24 Hour Clock You can select either a 12 or 24 hour clock setting. | 12H | Use the + or - key to select 12 or 24 hour clock. | 12 HOUR CLOCK |
| Fan Operation Select GAS for systems that control the fan during a call for heat. Select ELEC to have the thermostat control the fan during a call for heat. | ELE | GAS or ELEC | GAS |
| Morning Recovery This feature will start heating early to bring the building temperature to its programmed setpoint by the beginning of the WAKE, OCCUPIED time period. | ON MORN RECOV | Use the + or - key to turn on or off. | ON |
| Program Options You can configure this thermostat to have a 7 day program, a 5+1+1 program or as nonprogrammable. | 5d PROGRAM | Use the + or - key to select 7d for 7 day, 5d for 5+1+1, or 0d for nonprogrammable. | 5d |
| Time Periods You can configure this thermostat to have 2 or 4 programmable time periods per day. 4 time periods are Wake, Leave, Return & Sleep. 2C time periods are Occupied & Unoccupied. 4C time periods are Occupied 1, Unoccupied 1, Occupied 2, & Unoccupied 2. | 4 TIME PERIOD | Use the + or - key to select 4, 2c, or 4c time periods per day. | 4 |

Technician Setup Menu

| Tech Setup Steps | LCD Will Show | Adjustment Options | Default |
|--|-----------------------|--|---------|
| Pre-Occupancy Fan The pre-occupancy fan settings will energize the fan before the occupied time to provide ventilation prior to scheduled occupancy. This feature only shows if the technician setup step for time periods is set to 2C or 4C. | OFF PRE OCCUPY FAN | You can select the pre-occupancy fan from OFF, 1, 2, or 3 hours. If 1, 2, or 3 is selected, the fan will turn on that many hours prior to the scheduled occupied time period. | OFF |
| Display Light The display light can be configured to stay on all the time or come on when any key is pressed. NOTE: HARDWARE ONLY Keeping the display light continually "ON" will greatly reduce battery life. | ON DL | Use the + or - key to turn on or off. OFF configures the display light to come on when the light key or any button is pressed. ON configures the display light to stay on. | OFF |
| Contractor Call Number Allows you to put your phone number in the display. You can choose ON or OFF. | OFF | If selected ON, you will see the input screen after pressing NEXT STEP . Use the + or - key to select the desired number and the FAN or SYSTEM key to move from one character to another. See note below for operation. | OFF |
| Beep When any key is pressed an audible beep will sound. You can choose ON or OFF. | ON b | If ON is selected the beep will sound. If OFF is selected there is no sound. | ON |

Contractor Call Number Note

If contractor call number is selected ON, the phone number entered will show in the display if there has been a continuous call for heating or cooling for 24 hours or if the light button is held down for 3 seconds. To remove the phone number from the display, hold the light button down for 3 seconds.

15

16

Technician Setup Menu

| Tech Setup Steps | LCD Will Show | Adjustment Options | Default |
|--|-----------------------|--|---------|
| Humidity Pad Reminder Enables a reminder for the user to change the humidity pad. | OFF HUM PAD 2000 | Use the + or - key to select OFF, 600, 1000, 1500, or 2000. These represent hours of heat operation. | OFF |
| UV Lamp Reminder Enables a reminder for the user to change the UV light bulb. | OFF UV LAMP 0000 | Use the + or - key to select OFF, 1YEAR, 2YEAR. | OFF |
| IAQ Cell Reminder Enables a reminder for the user to change the PHI Cell after 25,000 hrs. | 250 IQC CELL 25000 | Use the + or - key to select OFF, or 250 (stands for 25,000 hours). | OFF |

A Note about IAQ Mode

This programmable/selectable mode will operate the fan 1-4 cycles per hour, 1-45 minutes per cycle. Once programmed in tech setup, to enable this mode select "IAQ" with the fan key. Disable this mode by selecting "ON" or "AUTO" with the fan key.

Reminders

Once a reminder has been turned on and set, the elapsed time can be checked by navigating to its tech setup step. The elapsed time will then appear in the text field. It can also be reset at that time by holding down the set time/run sched button for 3 seconds. Resetting an expired reminder can be done without entering tech setup, by holding down the set time/run sched button for 3 seconds from the home screen.

Programming

Set Time (If using programming)

Follow the steps below to set the day of the week and current time:

- Press the **MENU** button.
- Press **SET TIME**.
- Day of the week is flashing. Use the **+** or **-** key to select the current day of the week.
- Press **NEXT**.
- The current hour is flashing. Use the **+** or **-** key to select the current hour. When using 12-hour time, make sure the correct a.m. or p.m. choice is selected.
- Press **NEXT**.
- Minutes are now flashing. Use the **+** or **-** key to select current minutes.
- Press **DONE** when completed.

Programming

All our programmable thermostats are shipped with an energy saving default program. You can customize this default program by following the instructions in the **set program schedule section** starting on page 24.

Your thermostat can be programmed to have each day of the week programmed uniquely (7 days), all the weekdays the same with a separate program for Saturday and a separate program for Sunday (5+1+1), or non-programmable. For the 7-day and 5+1+1 programming modes, there are three time period options.

- "4" Residential (**WAKE, LEAVE, RETURN, SLEEP**)
- "2C" Commercial (**OCCUPIED, UNOCCUPIED**)
- "4C" Commercial (**OCCUPIED 1, UNOCCUPIED 1, OCCUPIED 2, UNOCCUPIED 2**)

This thermostat has a programmable fan feature, which allows you to run the fan continually during any time period.

19

20

Default Programming

| Factory Default Program | | | | |
|-------------------------|--------------|-------|-----------------------------|-----------------------------|
| Day of the Week | Events | Time | Setpoint Temperature (HEAT) | Setpoint Temperature (COOL) |
| Weekday | Wake/OCC1 | 6 AM | 70°F (21°C) | 75°F (24°C) |
| | Leave/UNOCC1 | 8 AM | 62°F (17°C) | 83°F (28°C) |
| | Return/OCC2 | 6 PM | 70°F (21°C) | 75°F (24°C) |
| | Sleep/UNOCC2 | 10 PM | 62°F (17°C) | 78°F (26°C) |
| Saturday | Wake/OCC1 | 6 AM | 70°F (21°C) | 75°F (24°C) |
| | Leave/UNOCC1 | 8 AM | 62°F (17°C) | 83°F (28°C) |
| | Return/OCC2 | 6 PM | 70°F (21°C) | 75°F (24°C) |
| | Sleep/UNOCC2 | 10 PM | 62°F (17°C) | 78°F (26°C) |
| Sunday | Wake/OCC1 | 6 AM | 70°F (21°C) | 75°F (24°C) |
| | Leave/UNOCC1 | 8 AM | 62°F (17°C) | 83°F (28°C) |
| | Return/OCC2 | 6 PM | 70°F (21°C) | 75°F (24°C) |
| | Sleep/UNOCC2 | 10 PM | 62°F (17°C) | 78°F (26°C) |

| Factory Default Program for 2 Time Periods | | | | |
|--|------------|------|-----------------------------|-----------------------------|
| Day of the Week | Events | Time | Setpoint Temperature (HEAT) | Setpoint Temperature (COOL) |
| Weekday | OCCUPIED | 8 AM | 70°F (21°C) | 72°F (22°C) |
| | UNOCCUPIED | 6 PM | 64°F (18°C) | 80°F (27°C) |
| Saturday | OCCUPIED | 8 AM | 70°F (21°C) | 72°F (22°C) |
| | UNOCCUPIED | 6 PM | 64°F (18°C) | 80°F (27°C) |
| Sunday | OCCUPIED | 8 AM | 70°F (21°C) | 72°F (22°C) |
| | UNOCCUPIED | 6 PM | 64°F (18°C) | 80°F (27°C) |

You can use the table on the next page to plan your customized program schedule if using 5+1+1.

Programming

To customize your 7 day 4 time period Program schedule, follow these steps:

Monday:

1. Select **HEAT** or **COOL** with the **SYSTEM** key.
Note: You have to program heat and cool each separately.
2. Press the **MENU** button (If menu does not appear first, press **RUN SCHED**).
3. Press **SET SCHED**. **Note:** Monday is displayed and the **WAKE/OCC1** icon is shown. You are now programming the **WAKE/OCC1** time period for that day.
4. Time is flashing. Use the **+** or **-** key to make your time selection for that day's **WAKE/OCC1** time period.
Note: If you want the fan to run continuously during this time period, select **ON** with the **FAN** key. If you want to use **IAQ** mode during this time period, select **IAQ** with the **FAN** key.
5. Press **NEXT**.
6. The setpoint temperature is flashing. Use the **+** or **-** key to make your setpoint selection for that day's **WAKE/OCC1** period.
7. Press **NEXT**.
8. Repeat steps 4 through 7 for that day's **LEAVE/UNOCC1** time period, for that day's **RETURN/OCC2** time period, and for that day's **SLEEP/UNOCC2** time period.

Repeat steps 4 through 8 for the remaining days of the week.

A Note About Auto Changeover:

In Auto you have the ability to switch between Auto Heat or Auto Cool by pressing the system key. This can be done once the current mode has reached its setpoint. For example: if in Auto Heat, the heat setpoint must be satisfied before the thermostat will allow you to switch to Auto Cool. You can switch out of Auto by holding down the system key. To get back into Auto, you must toggle the system key to Auto.

Programming

Set Program Schedule For Two Time Periods (OCCUPIED, UNOCCUPIED)

To customize your 5+1+1 Program schedule, follow these steps:

Weekday:

1. Select **HEAT** or **COOL** with the **SYSTEM** key.
Note: You have to program heat and cool each separately.
2. Press the **MENU** button (If menu does not appear first, press **RUN SCHED**).
3. Press **SET SCHED**. **Note:** Monday-Friday is displayed and the **OCCUPIED** text is shown. You are now programming the **OCCUPIED** time period for the weekday setting.
4. Time is flashing. Use the **+** or **-** key to make your time selection for the weekday **OCCUPIED** time period.
Note: If you want the fan to run continuously during this time period, select **ON** with the **FAN** key. If you want to use **IAQ** mode during this time period, select **IAQ** with the fan key.
5. Press **NEXT**.
6. The setpoint temperature is flashing. Use the **+** or **-** key to make your setpoint selection for the weekday **OCCUPIED** period.
7. Press **NEXT**.
8. Repeat steps 4 through 7 for the weekday **UNOCCUPIED** time period.

Saturday:

Repeat steps 4 through 7 for the Saturday **OCCUPIED** time period and for the Saturday **UNOCCUPIED** time period.

Sunday:

Repeat steps 4 through 7 for the Sunday **OCCUPIED** time period, and for the Sunday **UNOCCUPIED** time period.

| Custom Program | | | | |
|-----------------|--------------|------|-----------------------------|-----------------------------|
| Day of the Week | Events | Time | Setpoint Temperature (HEAT) | Setpoint Temperature (COOL) |
| Weekday | Wake/OCC1 | | | |
| | Leave/UNOCC1 | | | |
| | Return/OCC2 | | | |
| | Sleep/UNOCC2 | | | |
| | Occupied | | | |
| | Unoccupied | | | |
| Saturday | Wake/OCC1 | | | |
| | Leave/UNOCC1 | | | |
| | Return/OCC2 | | | |
| | Sleep/UNOCC2 | | | |
| | Occupied | | | |
| | Unoccupied | | | |
| Sunday | Wake/OCC1 | | | |
| | Leave/UNOCC1 | | | |
| | Return/OCC2 | | | |
| | Sleep/UNOCC2 | | | |
| | Occupied | | | |
| | Unoccupied | | | |

Set Program Schedule For Four Time Periods

(WAKE, LEAVE, RETURN, SLEEP or OCCUPIED 1, UNOCCUPIED1, OCCUPIED 2, UNOCCUPIED 2)

To customize your 5+1+1 Program schedule, follow these steps:

Weekday:

1. Select **HEAT** or **COOL** with the system switch.
Note: You have to program heat and cool each separately.
2. Press the **MENU** button (If menu does not appear first press **RUN SCHED**).
3. Press **SET SCHED**. **Note:** Monday-Friday is displayed and the **WAKE/OCC1** icon is shown. You are now programming the **WAKE/OCC1** time period for the weekday setting.
4. Time is flashing. Use the **+** or **-** key to make your time selection for the weekday **WAKE/OCC1** time period.
Note: If you want the fan to run continuously during this time period, select **ON** with the **FAN** key. If you want to use **IAQ** mode during this time period, select **IAQ** with the **FAN** key.
5. Press **NEXT**.
6. The setpoint temperature is flashing. Use the **+** or **-** key to make your setpoint selection for the weekday **WAKE/OCC1** period.
7. Press **NEXT**.
8. Repeat steps 4 through 7 for the weekday **LEAVE/UNOCC1** time period, for the weekday **RETURN/OCC2** time period, and for the weekday **SLEEP/UNOCC2** time period.

Saturday:

Repeat steps 4 through 7 for the Saturday **WAKE/OCC1** time period, **LEAVE/UNOCC1** time period, **RETURN/OCC2** time period, and for the Saturday **SLEEP/UNOCC2** time period.

Sunday:

Repeat steps 4 through 7 for the Sunday **WAKE/OCC1** time period, **LEAVE/UNOCC1** time period, **RETURN/OCC2** time period, and for the Sunday **SLEEP/UNOCC2** time period.

To customize your 7 day 2 time period program schedule, follow these steps:

Monday:

1. Select **HEAT** or **COOL** with the **SYSTEM** key.
Note: You have to program heat and cool each separately.
2. Press the **MENU** button (If menu does not appear first press **RUN SCHED**).
3. Press **SET SCHED**. **Note:** Monday is displayed and the **OCCUPIED** text is shown. You are now programming the **OCCUPIED** time period for that day.
4. Time is flashing. Use the **+** or **-** key to make your time selection for that day's **OCCUPIED** time period.
Note: If you want the fan to run continuously during this time period, select **ON** with the **FAN** key. If you want to use **IAQ** mode during this time period, select **IAQ** with the fan key.
5. Press **NEXT**.
6. The setpoint temperature is flashing. Use the **+** or **-** key to make your setpoint selection for that day's **OCCUPIED** period.
7. Press **NEXT**.
8. Repeat steps 4 through 7 for that day's **UNOCCUPIED** time period.

Repeat steps 4 through 8 for the remaining days of the week.

A Note About Programmable Fan:

The programmable fan feature will run the fan continuously during any time period it is programmed to be on. This is the best way to keep the air circulated and to eliminate hot and cold spots in your building. If using **IAQ** mode, set fan to **IAQ** for any time period.

Temporary & Permanent Hold Feature

Temporary Hold: The thermostat will display **HOLD** and **RUN SCHED** on the bottom of the screen when you press the **+** or **-** key. If you do nothing, the temperature will remain at this setpoint temporarily for 4 hours. The program setpoint will then replace the temporary setpoint.

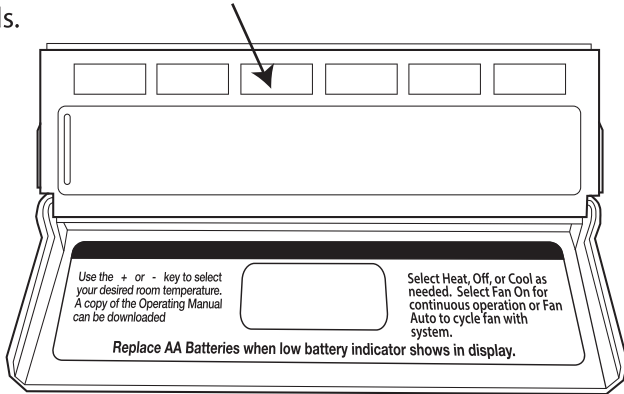
Permanent Hold: With a temporary hold set, If you press the **HOLD** key at the bottom of your screen, you will see **HOLD** appear below the setpoint temperature in the display. The thermostat will now permanently stay at this setpoint and can be adjusted using the **+** or **-** keys.

To Return To Program: Press the **RUN SCHED** key at the bottom of the screen to exit temporary and permanent holds.

Filter Change & Other Reminders

If the filter change reminder is enabled, you will see a reminder in the display when your air filter needs changed. The reminder will be shown in the display after your system has run long enough to require an air filter change.

Resetting The Filter Change Reminder: When the reminder is displayed, you should change your air filter and reset the reminder by holding down the 3rd button from the left side of the thermostat for 3 seconds.



This thermostat also has other maintenance reminders (Humidity Pad, UV lamp, and IAQ Cell), that are reset with the same procedure.

Specifications

| | |
|--|---|
| The display range of temperature ... | 41°F to 95°F (5°C to 35°C) |
| The control range of temperature.... | 44°F to 90°F (7°C to 32°C) |
| Load Rating..... | 1 amp per terminal, 1.5 amp maximum all terminals combined |
| Swing (cycle rate or differential) | Heating is adjustable from 0.2° to 2.0° Cooling is adjustable from 0.2° to 2.0° |
| Power source | 18 to 30 VAC, NEC Class II, 50/60 Hz for hardwire Battery power from 2 AA Alkaline batteries |
| Operating ambient | 32°F to +105°F (0°C to +41°C) |
| Operating humidity | 90% non-condensing maximum |
| Dimensions of thermostat | 4.7" W x 4.3" H x 0.9" D |