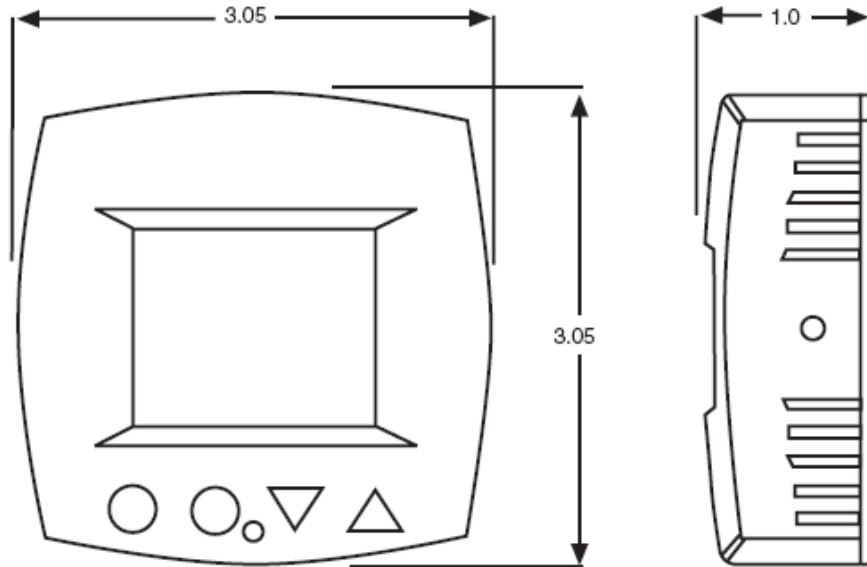


Venstar Fan Coil Thermostat T1075



STANDARD FEATURES:

- 7-Day programmable with self prompting programming.
- Auto 2-pipe changeover when used with accessory changeover sensor.
- One-for-All, works with most low voltage 2 pipe and 4 pipe 24-volt fan coil systems.
- Electric heat ready.
- 3-Speed fan control.
- Remote sensor ready
- Dry contact equipped.
- Keypad lockout option.
- Can be configured for °F or °C.
- Thermoglow electro-luminous display.
- Dual-Setpoint with adjustable deadband.
- Large number display, extremely easy to operate and program.
- Red/Green LED shows whether thermostat is calling for Heating or Cooling.
- Clock chip backup allows time to stay current for up to 48-hours during power loss.
- All programming and setpoints stored in non-volatile memory and are never lost in power failure.
- Configurable display can show both heating and cooling setpoints and room temperature simultaneously.
- Includes Exact-Fit locking cover.
- Includes ACC0421S wall plate.

MODEL:	T1075	QUANTITY:		DATE:		
JOB NAME:						
LOCATION:						
BUYER:				BUYER P.O.#:		
ENGINEER:						