

T6-WEM01-A
PREFERRED™ SERIES
AC/HP Wi-Fi® THERMOSTAT
BRYANT® HOUSEWISE™ THERMOSTAT



Product Data



Fig. 1 - Bryant® Housewise™ Thermostat

A14551

INTRODUCTION

Four equal sides. One unequalled solution. The Housewise™ thermostat from Bryant® redefines what a thermostat can be. From its modern design to its variety of equally modern features, the Housewise thermostat leaves no stone unturned in the search for more savings. In fact, homeowners saved an average of 20% on their heating and cooling energy costs.*

The Housewise thermostat has a small 4"x4" size that boasts easy-to-use smartphone touchscreen technology. Beneath the sleek appearance you'll find Wi-Fi® remote connectivity, detailed energy reports and the ability to utilize as many or as few advanced features as you want. All so you can enjoy energy savings—and look good doing it.

**Based on a 2012 third-party study comparing Bryant® Housewise™ technology to the estimated cost of a non-programmable thermostat set to 72° F at all times.*

FEATURES/BENEFITS

- Apple HomeKit compatible
- Remote access via web portal or smartphone app
- Energy reports and customized savings tips
- Intelligent software adapts beyond manual programming for greater efficiency, while meeting ideal comfort levels by understanding home and system characteristics
- Smartphone style, color touch screen
- Indoor humidity sense and display
- Local 4-day weather forecast
- HVAC system alerts and maintenance reminders display dealer contact information
- 7-day programmability with Guided Scheduling, Comfort Profiles and Touch-n-Go® Features
- Heating/Cooling Smart Setback
- Super Dehumidification, Cool to Dehumidify
- Perfect Heat Pump System™ Feature

- Auxiliary Heat During Defrost
- Fan Optimization
- Air Circulation (minimum time per hour)
- Free Cooling with a Ventilator
- Window Protect with a Humidifier
- Internal Occupancy Sensor

PRODUCT DATA INFORMATION

Equipment Capability

- 24VAC (low voltage) systems
- Up to 2 stages of heat (for conventional systems) OR
- Up to 4 stages of heat for heat pump/Aux heat systems, (1 or 2 stages + 1 or 2 stages auxiliary heat, Intelligent heat staging capable)
- And up to 2 stages of cool
- Hybrid Heat® dual-fuel systems
- Geothermal systems
- Boiler/hot water system
- Accessories: humidifier, dehumidifier, or ventilation device

Physical Characteristics

- Dimensions: 4" x 4" x 1" (See drawing exact dimensions)
- Mounting: Horizontal

Electrical

- Input volts/amps: 24VAC, 3 VA minimum, RC/RH compatible

Environment

- Operating temperature/Relative humidity: 32°F (0°C) to 130°F (40°C), 95% RH non-condensing
- Storage temperature/Relative humidity: -40°F (-40°C) to 134°F (57°C), 95% RH non-condensing

Wiring Requirements

- Standard 18 to 22 gauge, local wiring codes supersede.

OPERATIONAL INFORMATION

Heating / Cooling Setpoints

The heating setpoint range is 50°F (10°C) to 90°F (32°C). a selectable range of 2 - 6°F (2°F default) is enforced between heating and cooling setpoint temperatures. This is done by allowing one setting to "push" the other to maintain this difference.

Alerts & Reminders

The system helps managing routine maintenance and service through system alerts and reminders that can be set up to notify both the homeowner and the servicing dealer. Notifications are displayed on the thermostat, mobile app, web portal, and can be sent via email. Routine service, filter change, temperature alerts, and humidity alerts are just a few examples of the alerts and reminders that can be sent.

Equipment On Indicators

When cooling equipment is ON, the idle screen displays (Cooling)
 When heating equipment is ON, the idle screen displays Heating.
 When auxiliary heating is ON (HP only) the idle screen displays (Heating) When just the fan is ON the idle screen displays (Fan on)

Equipment Operation

A wide variety of system settings like compressor time guards and auxiliary heat lock-outs are available to the installer. The installation menus are customized for the equipment type that is setup so if a heat pump is configured, only heat pump related settings are displayed.

Smart Setback

The Bryant Housewise™ Thermostat takes the guess work out of setbacks with its Smart Setback feature. Set the minimum / maximum setback limits via the Cool To and Heat To settings and the thermostat will do the rest. The Smart Setback algorithm uses historical performance of the home along with the current outdoor conditions to calculate when to start heating / cooling in order to recover using the most efficient stage and heat source available.

REMOTE CONNECTIVITY

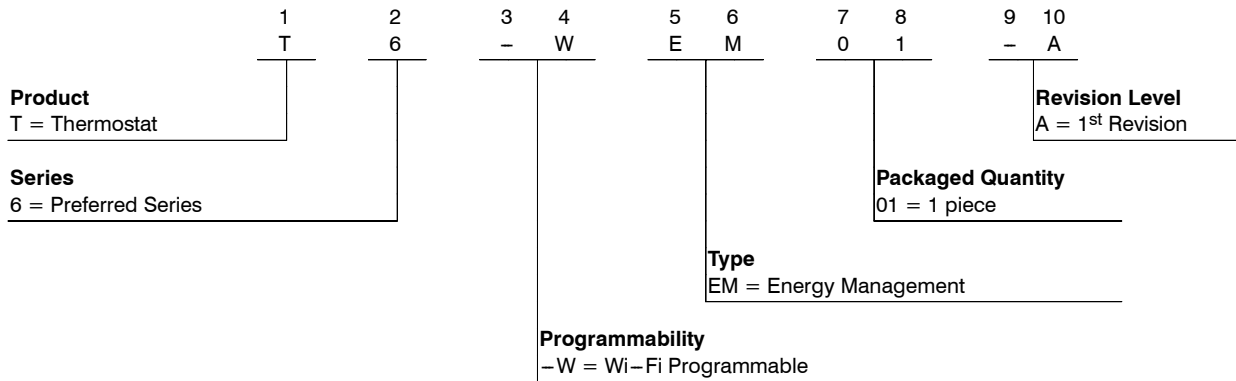
Compatibility

- Broadband Internet
- 802.11 b/g/n Wi-Fi® network

Remote Access

The Bryant Housewise™ Thermostat features remote access that allows you the freedom to manage and track your home energy consumption anytime and from anywhere. Whether you're utilizing your personal Bryant Web Portal through a desktop computer, a tablet or one of Bryant's smartphone apps, the power to manage your monthly energy usage is in the palm of your hand. Visit www.Bryant.com/myhome from your Internet-connected device to access your personalized web portal or download the free app for your smartphone.

MODEL NUMBER NOMENCLATURE



DIMENSIONS

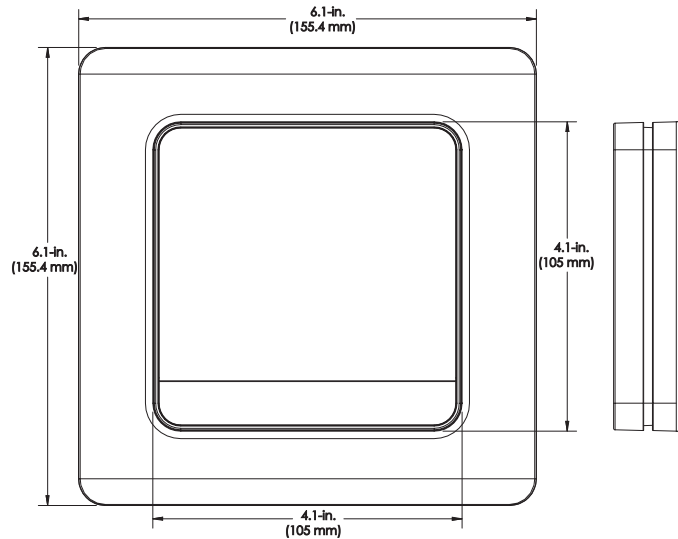


Fig. 2 - Bryant Housewise Thermostat Dimensions
 (Shown with optional, large backplate)

A14578

ACCESSORIES

Part Number	Description
TS-2PE01	Power Extender kit for T6-WEM01 and T6-WEM01-A Thermostat

Wi-Fi® is a registered trademark of the Wi-Fi Alliance® Corporation