

# airCloud Home Adapter

SPX-WFA, SPX-WFG02, SPX-WFG03

## Make your AC smarter!

- ✓ Accessory for Hitachi Cooling & Heating inverter split air conditioner<sup>(1)</sup>
- ✓ Connect to the cloud via Home wifi network
- ✓ Use with airCloud Home smartphone app

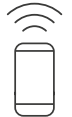


Home wifi router



Your Hitachi air conditioner<sup>(1)</sup>

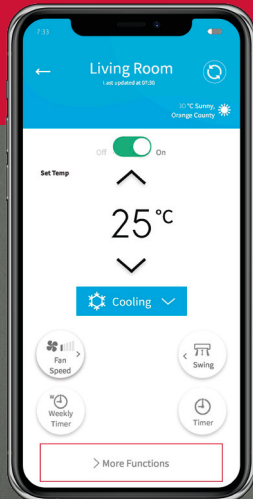
airCloud Home Adapter



To your smartphone



← 8 cm only ! →



(1) Consult your local Hitachi Cooling & Heating representative to confirm compatibility.

# Benefits of IoT connected air conditioner

## CONTROL WITH AIRCLOUD HOME APP

### AIRCLOUD HOME 3.0 FEATURES <sup>(1)</sup>

- **Anytime & Anywhere:**  
Remote management and AC settings from your phone
- **Energy cost estimator:**  
Control your AC energy consumption and budget<sup>(2)</sup>
- **Weekly Timer** to schedule AC based on your routine
- **Smart-Fence:**  
Automatic AC settings as you leave and arrive at home, based on your phone's location
- **AC fault alarm** and error code
- **Connection capacity:**  
Pair with unlimited number of Hitachi Cooling & Heating air conditioners, **share** access with up to 20 users

## VOICE CONTROL & SMART HOME INTEGRATION

- **Integration** of Hitachi air conditioner into your Smart Home ecosystem
- **Smart skill** with Google Smart Home & Alexa Smart Home
- **Voice command** via smart speaker, for hands-free control of the temperature

(1) airCloud Home features may vary based on air conditioner model.  
 (2) Available with selected Hitachi air conditioner models, consult your Hitachi Cooling & Heating representative.  
 \* airCloud Home App is free. Communication charges will be incurred for download and operation as per the local cell phone provider.

## Specifications

AIRCLOUD HOME ADAPTER	SPX-WFG03 *New 2023	SPX-WFG02	SPX-WFA
Installation place	Inside QR external at bottom of the AC indoor unit	External, at bottom of the AC indoor unit	External, at bottom of the AC indoor unit
Dimensions (LxWxH)	80x40x16.5mm		
Housing	ABS plastic		
Cable length	420mm	1,000mm	1,000mm
Power supply	12V (power source not needed)		
Wireless LAN standard	IEEE 802.11b/g/n 2.4GHz band		
Wifi configuration	AP and WPS		
Certification*	CE	CE	FCC, IC, ETL

\* Additional local certifications may be available, please consult your distributor for your country's certifications.

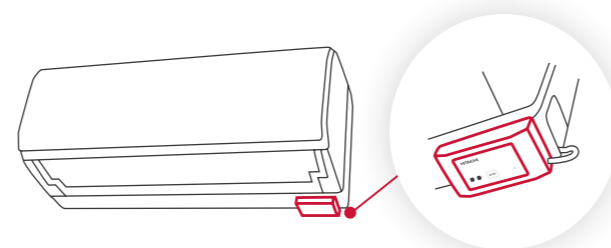
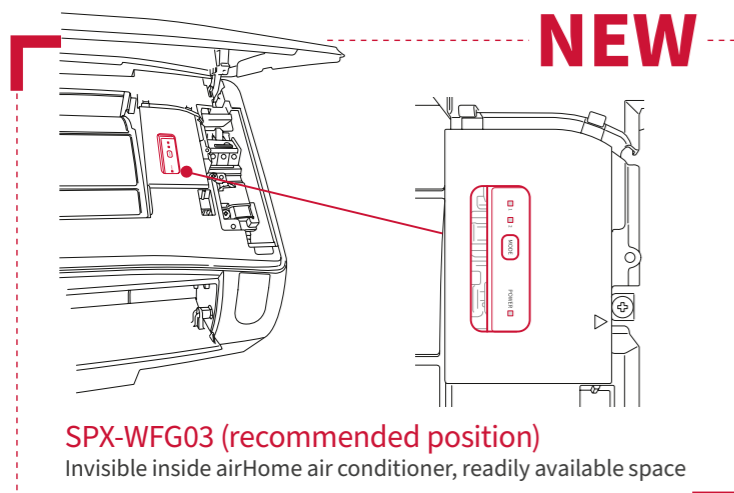
## Adapter: Easy installation and wifi pairing

- **No additional power source required**
- **Simple configuration** dedicated to external wifi adapter provided in airCloud Home app
- **QR pairing:** Every adapter is supplied with a unique QR code sticker, for instant recognition by the app



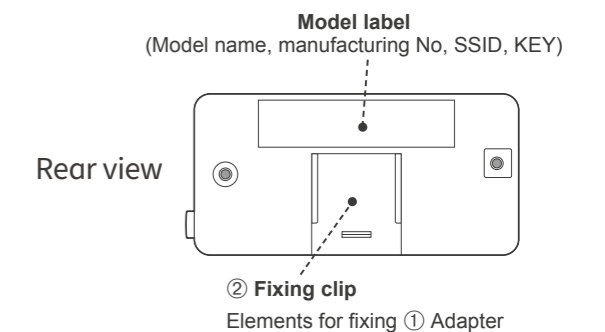
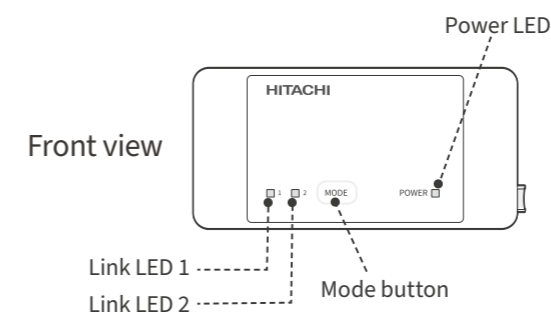
\*\* QR code is a trademark and registered by DENSO WAVE Inc.

\*Energy cost estimator's availability vary per air conditioner model.



**Video:** Watch airCloud Home adapter's installation guidance [https://youtu.be/P748UFxRx\\_c](https://youtu.be/P748UFxRx_c)

### VIEWS OF THE AIRCLOUD HOME ADAPTER (SPX-WFA & SPX-WFG02 & SPX-WFG03)



# Compatibility chart



SPX-WFG03 <small>*As of Jan 2023, more compatible airHome air conditioners to be launched</small>	SPX-WFG02		SPX-WFA
<b>THAILAND</b> <i>AIRHOME SERIES</i>	<b>MALAYSIA</b>	<b>EUROPE</b> <i>WALL-MOUNTED</i>	<b>NORTH AMERICA</b>
RAK/RAC-DH**PCAST	RAS-VX**CJ	RAK-**PSEW	RAS-EH**PHLAB
RAK/RAC-DJ**PCAST	RAS-VJ**JM	RAK-**PSES	RAS-EH**RHLAE
<b>VIETNAM</b> <i>AIRHOME SERIES</i>	RAS-VJ**CJM	RAK-**RXD	RAS-SH**RHLAE
RAK/RAC-DH**PCASV	RAS-SH**CKM	RAK-**RXE	RAS-PH**PHLAE
RAK/RAC-DJ**PCASV	RAS-XH**CKM	RAK-**QPD	RAS-SH**QHLAE
<b>OCEANIA</b> <i>AIRHOME SERIES</i>	RAS-XJ**CKM	RAK-**RPD	RAS-EH**QHLAE
RAK-DJ**PHAT/RAC-DJ**PHAT	RAS-SX**CJ	RAK-**PPD	RAD-SH**QHLAE
<b>INDIA</b> <i>AIRHOME SERIES</i>	RAS-DX**CJ	RAK-**QPE	RAI-SH**QHLAE
Upcoming new models	RAS-X**CJ	RAK-**RPE	RAF-SH**QHLAE
-	<b>THAILAND</b>	RAK-**QEF	-
-	RAS-VJ**CLT	RAK-**REF	-
-	RAS-DH**CLT	RAK-**REFC	-
-	RAS-AJ**CLT	RAK-**REF	-
-	RAS-KH**CKT	RAK-**RPE1	-
-	RAS-PH**CLT	<b>EUROPE</b> <i>CONSOLE, CASSETTE AND DUCTED UNIT</i>	-
-	RAS-PH**HLT	RAF-**RXE	-
-	RAS-XJ**CKT	RAI-**RPE	-
-	RAS-XJ**CLT	RAD-**QPE	-
-	RAS-DX**CJT	RAD-**RPE	-
-	RAS-AX**CJT	RAD-**PPD	-
-	RAS-SH**CKT	<b>OCEANIA</b>	-
-	RAS-XH**CKT	RAS-S**YHAB	-
-	RAS-X**HGT	RAS-E**YHA	-
-	<b>VIETNAM</b>	RAS-E**YHAB	-
-	RAS-VJ**CKV	RAS-E**YCAA	-
-	RAS-XJ**CKV	RAD-E**YHA	-
-	<b>INDONESIA</b>	RAI-E**YHA	-
-	RAS-XJ**CKN	-	-
-	<b>SINGAPORE</b>	-	-
-	RAS-GJ**CMS	-	-
-	RAK-ZJ**CMS	-	-

## NOTES

airCloud Home Adapter is required to connect specific Hitachi air conditioners\* to airCloud Home app, by wifi. (\*see above list of Hitachi air conditioner series)

Access to a wifi network is necessary to connect the airCloud Home adapter to airCloud Home app (not available by Bluetooth).

Other series of Hitachi air conditioners do not require the airCloud Adapter, falling under two categories:

- Hitachi air conditioners with embedded wifi, ready to connect to airCloud Home app
- Hitachi air conditioners without options to connect to airCloud Home app