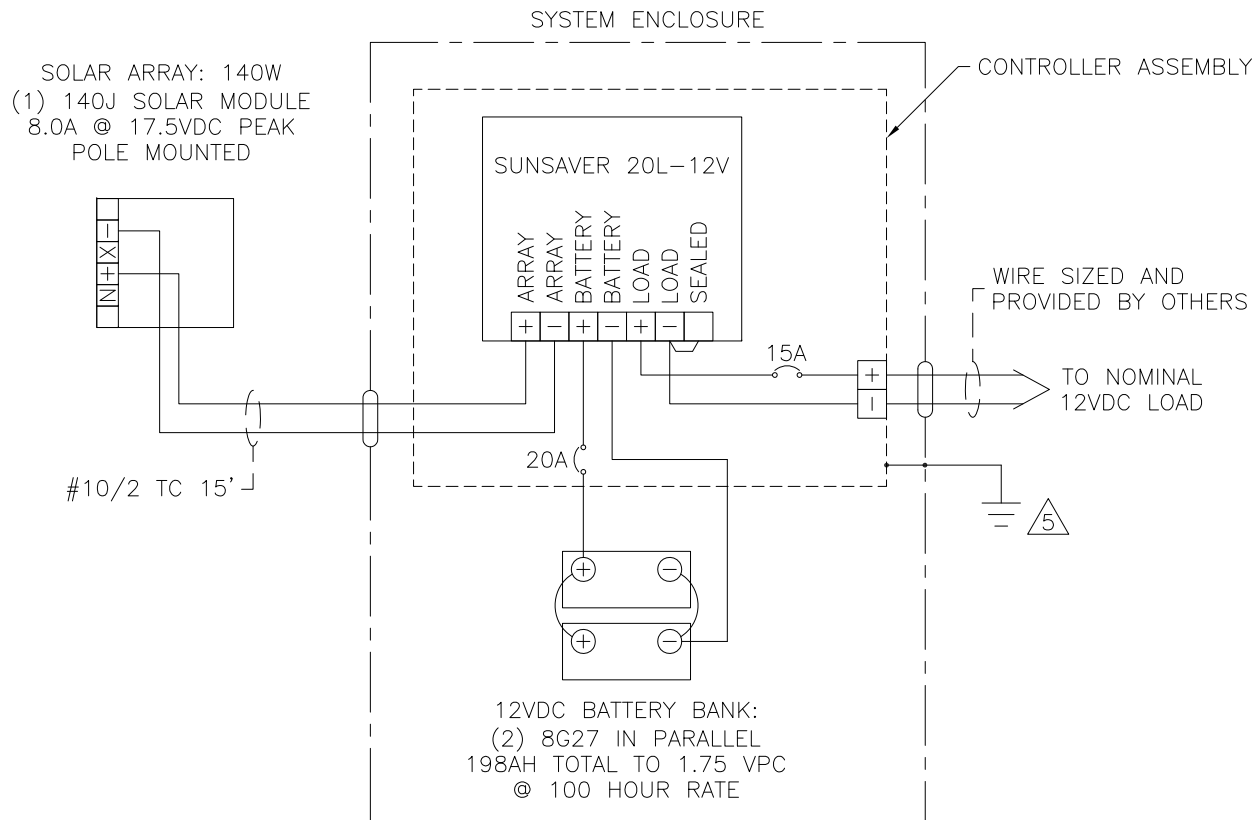


PRINTED: 10.18.16 -- 1:07 PM



5. GROUND POINT ESTABLISHED BY CUSTOMER.
 4. UNLESS OTHERWISE SPECIFIED, WIRING TO BE #12 RED POSITIVE (+), BLACK NEGATIVE (-), GREEN GROUND (\perp).
 3. BATTERIES TO BE INSTALLED IN THE FIELD.
 2. CONNECTIONS TO BATTERIES TO BE COMPLETED IN THE FIELD.
 1. CONNECTIONS TO ARRAY TO BE COMPLETED IN THE FIELD.
- NOTES:

REV	REVISD BY	ORD	DATE

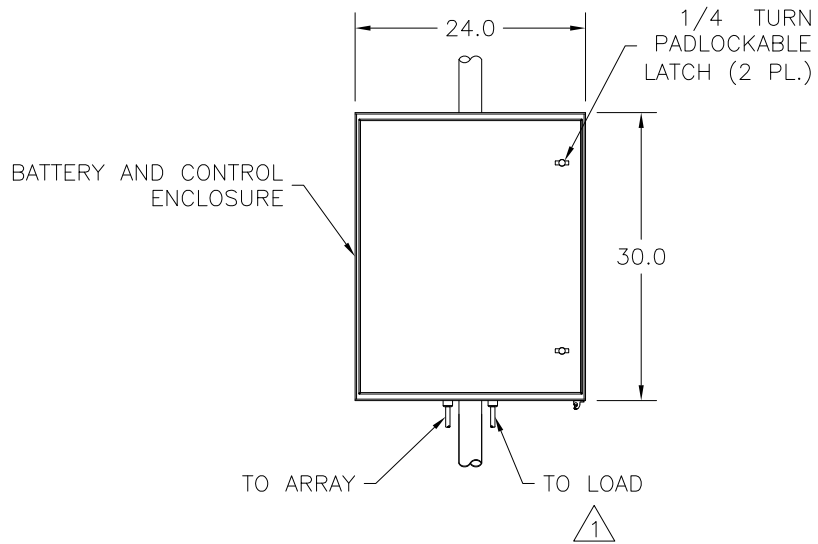
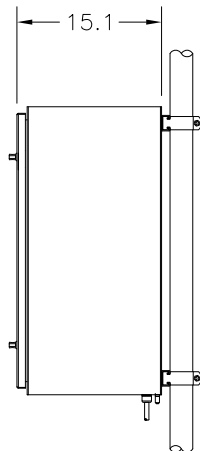
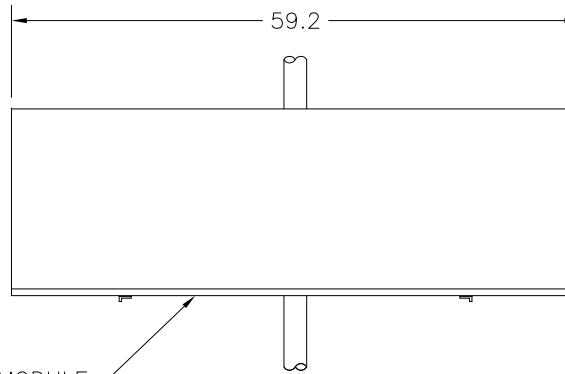
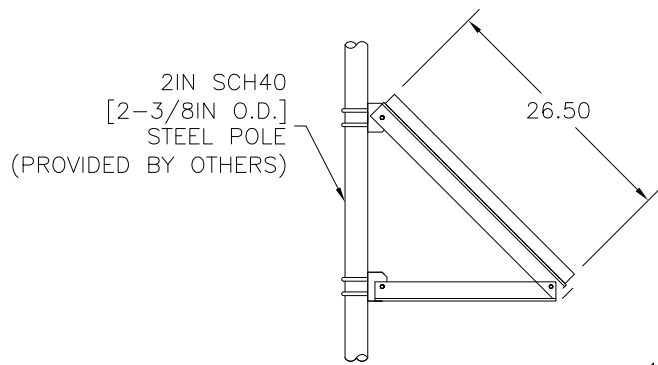
OWNERSHIP

COPYRIGHT ©2016 THE ABOVE DRAWINGS, SPECIFICATIONS, IDEAS, DESIGNS, AND ARRANGEMENTS ARE AND SHALL REMAIN THE PROPERTY OF AMERESCO AND NO PART THEREOF SHALL BE COPIED, DISCLOSED TO OTHERS, OR USED IN CONNECTION WITH ANY WORK OR PROJECT OTHER THAN THE SPECIFIED PROJECT FOR WHICH THEY HAVE BEEN PREPARED AND DEVELOPED WITHOUT THE WRITTEN CONSENT OF AMERESCO. VISUAL CONTACT WITH THESE PLANS OR SPECIFICATIONS SHALL CONSTITUTE CONCLUSIVE EVIDENCE OF ACCEPTANCE OF THESE RESTRICTIONS.

AMERESCO SOLAR
CHANDLER, AZ

WIRING DIAGRAM
SK/140W/198AH/12VDC/NEMA
4X/SS20L/DIN/NF

MATERIAL	DATE
N/A	05.OCT.16
FINISH	DATE
N/A	18.OCT.16
UNITS	APPROVALS NAME
UNLESS OTHERWISE SPECIFIED: PRIMARY UNITS ARE: INCHES SECONDARY UNITS ARE: [mm]	DRAWN L.INGO
TOLERANCES	APPROVED E.RIVAS
0.0 ± - 0.00 ± - 0.000 ± -	THIRD ANGLE PROJECTION
MISC	
SCALE	SIZE
N/A	SD50-0358
	B.O.M. NUMBER
	SB50-0358
SHEET 1 OF 3	A



1. LOAD CABLE PROVIDED SEPARATELY OR BY OTHERS.
NOTES:

REVISIONS		REV	REVISED BY	ORD	DATE

OWNERSHIP

COPYRIGHT ©2016 THE ABOVE DRAWINGS, SPECIFICATIONS, IDEAS, DESIGNS, AND ARRANGEMENTS ARE AND SHALL REMAIN THE PROPERTY OF AMERESCO AND NO PART THEREOF SHALL BE COPIED, DISCLOSED TO OTHERS, OR USED IN CONNECTION WITH ANY WORK OR PROJECT OTHER THAN THE SPECIFIED PROJECT FOR WHICH THEY HAVE BEEN PREPARED AND DEVELOPED WITHOUT THE WRITTEN CONSENT OF AMERESCO. VISUAL CONTACT WITH THESE PLANS OR SPECIFICATIONS SHALL CONSTITUTE CONCLUSIVE EVIDENCE OF ACCEPTANCE OF THESE RESTRICTIONS.

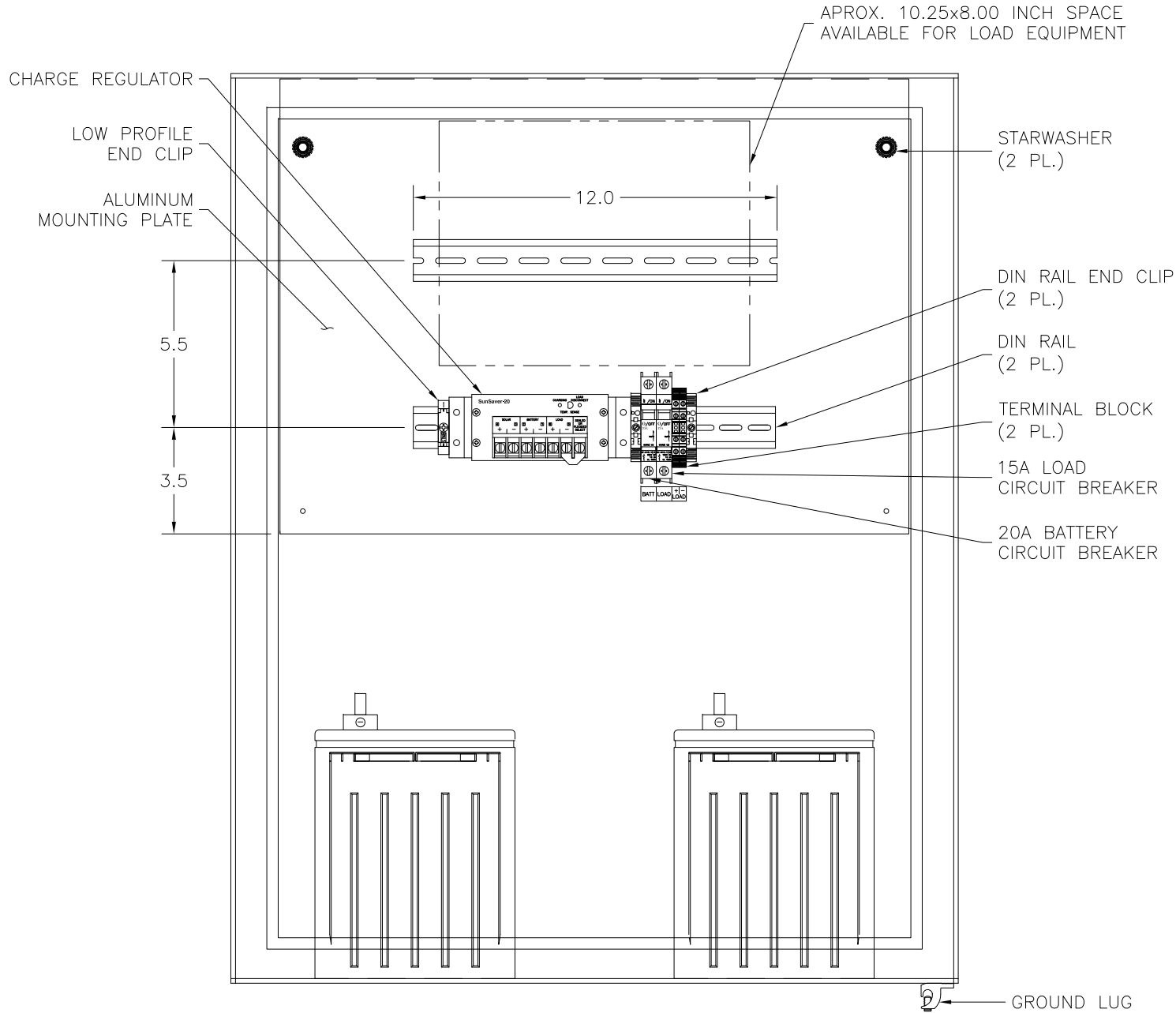
AMERESCO SOLAR
CHANDLER, AZ

SITE LAYOUT

SK/140W/19BAH/12VDC/NEMA
4X/SS20L/DIN/NF

MATERIAL	DATE
N/A	05.OCT.16
FINISH	DATE
N/A	18.OCT.16
UNITS	APPROVALS NAME
UNLESS OTHERWISE SPECIFIED: PRIMARY UNITS ARE: INCHES SECONDARY UNITS ARE: [mm]	DRAWN LINGO
TOLERANCES	APPROVED E.RIVAS
0.0 ± - 0.00 ± - 0.000 ± -	
THIRD ANGLE PROJECTION	
MISC	
SCALE	SIZE
N/A	A
DRAWING NUMBER SD50-0358	
B.O.M. NUMBER SB50-0358	
SHEET 2 OF 3	

PRINTED: 10.18.16 -- 1:07 PM



1. ENCLOSURE DOOR NOT SHOWN FOR CLARITY.
NOTES:

REV	REVISIONS	BY	ORD	DATE

OWNERSHIP
 COPYRIGHT ©2016 THE ABOVE DRAWINGS, SPECIFICATIONS, IDEAS, DESIGNS, AND ARRANGEMENTS ARE AND SHALL REMAIN THE PROPERTY OF AMERESCO AND NO PART THEREOF SHALL BE COPIED, DISCLOSED TO OTHERS, OR USED IN CONNECTION WITH ANY WORK OR PROJECT OTHER THAN THE SPECIFIED PROJECT FOR WHICH THEY HAVE BEEN PREPARED AND DEVELOPED WITHOUT THE WRITTEN CONSENT OF AMERESCO. VISUAL CONTACT WITH THESE PLANS OR SPECIFICATIONS SHALL CONSTITUTE CONCLUSIVE EVIDENCE OF ACCEPTANCE OF THESE RESTRICTIONS.

AMERESCO SOLAR
 CHANDLER, AZ
ENCLOSURE LAYOUT
 SK/140W/198AH/12VDC/NEMA
 4X/SS20L/DIN/NF

MATERIAL	N/A	DATE	05.OCT.16
FINISH	N/A	DATE	18.OCT.16
UNITS	UNLESS OTHERWISE SPECIFIED: PRIMARY UNITS ARE: INCHES SECONDARY UNITS ARE: [mm]		
TOLERANCES	0.0 ± - 0.00 ± - 0.000 ± -		
THIRD ANGLE PROJECTION			
MISC			
APPROVALS	NAME	DATE	
	DRAWN	LINGO	
	APPROVED	E.RIVAS	
SCALE	DRAWING NUMBER	SIZE	
N/A	SD50-0358	A	
	B.O.M. NUMBER		
	SB50-0358		
	SHEET 3 OF 3		