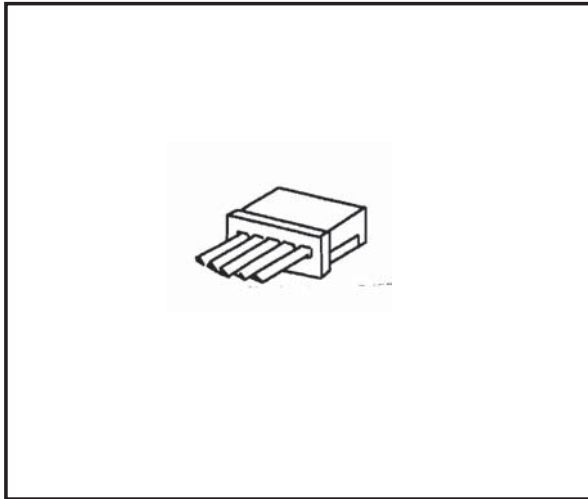


Connector Cable For Remote Display PAC-SA88HA-E

Figure



Descriptions

- This adapter enables control of several units with a multiple remote control display.

Applicable Models

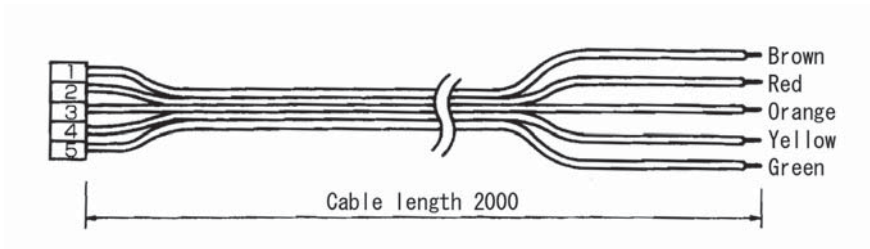
- SLZ-KA VAQ(2)
- SLZ-KA VAL(2)
- SEZ-KD VAQ
- SEZ-KD VAL
- PLA-ZRP BA
- PLA-RP BA(2)
- PEA-RP GAQ
- PKA-RP HAL/KAL
- PCA-RP KAQ/HAQ
- PEAD-RP JA(L)Q
- PSA-RP KA

Specifications

Function	Connecting cable to output status signal of the air conditioner, and ON/OFF by external (pulse) signal.
Input signal	Pulse signal (no voltage instantaneous ON contact) Pulse duration 200m/s or more.
Connector	5P (connector to CN51 or CN52 on indoor unit control board)
Cable type	5-wire vinyl cable, for extension: sheathed vinyl cord or cable (0.5 to 1.25mm ²)
Cable length	2m (max. 10m when extended locally)
Output capacity	DC12V 75mA (Max 0.9W)

Dimensions

Unit : mm



OPTIONAL
PARTS

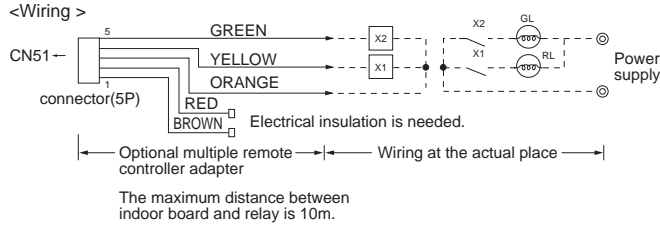
How to Use / How to Install

MULTIPLE REMOTE CONTROL DISPLAY

You can control several units with a multiple remote control display, by wiring an optional multiple remote controller adapter (PAC-SA88HA-E) with relays and lamps on the market.

How to wire

- (1) Connect the multiple remote controller adapter to the connector CN51 on the indoor controller board.
- (2) Wire three of the five wires from the multiple remote controller adapter as shown in the figure below.



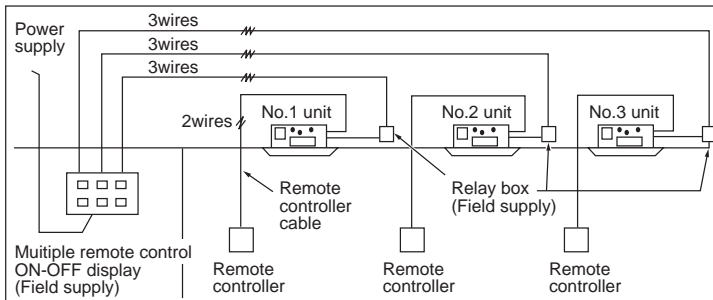
[Notes on Signs]

X1:Relay (for operation lamp)
X2:Relay (for check lamp)
RL:Operation Lamp
GL:Check Lamp

[Field supplied parts]

Relays:12V DC with rated coil power consumption below 0.9W.
Lamps:Matching to power supply voltage.

<System>



(Operation check)

<Wiring diagram>

