

Job Name: _____
 System Reference: _____ Date: _____



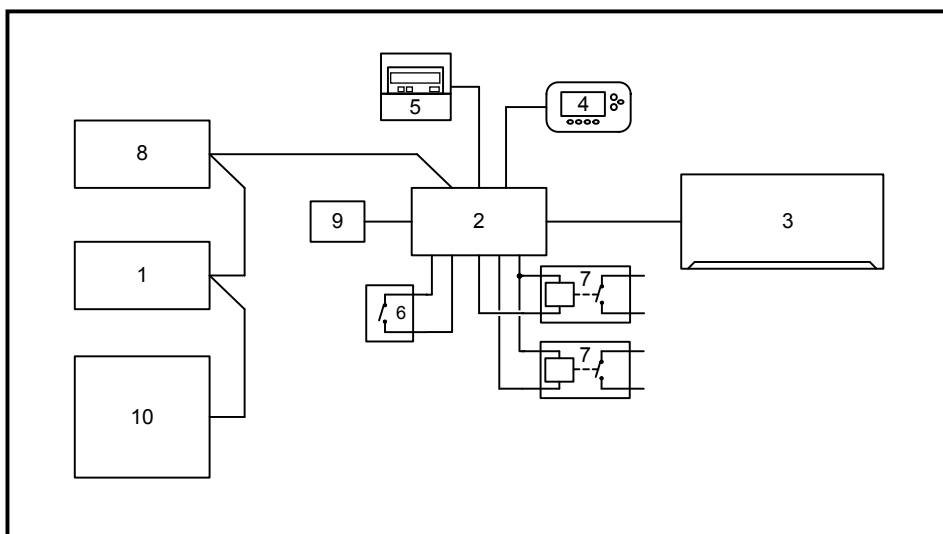
MAC-334IF-E system control interface specifications for M-Series indoor units

- Allows the M-Series indoor units to communicate with the CITY MULTI® Controls Network via M-Net
 - Room temperature setting by 1°F (0.5°C) for M-NET connection.
- Dual Auto mode setting configured by dip switch
- External heater ON/OFF based on set and room temperature
- Provides two outputs to allow for the following control scenarios:
 - Note: External 12VDC power supply is required
 - Equipment Status and Error
 - Equipment Status and Auxiliary Heat Source
 - Equipment Status and Humidifier Control
 - Auxiliary Heat Source and Humidifier Control
- Provides an input to allow remote On/Off control of indoor unit (3-Wire plug adapter included)
- Allows the M-Series indoor units to connect to CN105 interface via CN505 on the MAC-334IF-E when using other MAC-334IF functions
 - Note: external 12VDC power supply is required
 - Note: CN105 interfaces that can be used is the Wireless Interface (1 or 2) or MHK1
- Allows the M-Series indoor units to connect to a MA remote controller
- Operating conditions: indoor only (ambient temperature 32° F to 104° F [0° C to 40° C], no condensation)
- Indoor unit connecting cable: dedicated CN105 cable included
- In order to have a MAC-334IF-E in the same group as a MAC-333IF-E, DIP switch 502-7 must be set to ON

SYSTEM CONFIGURATION

Possible components connected with System Control Interface:

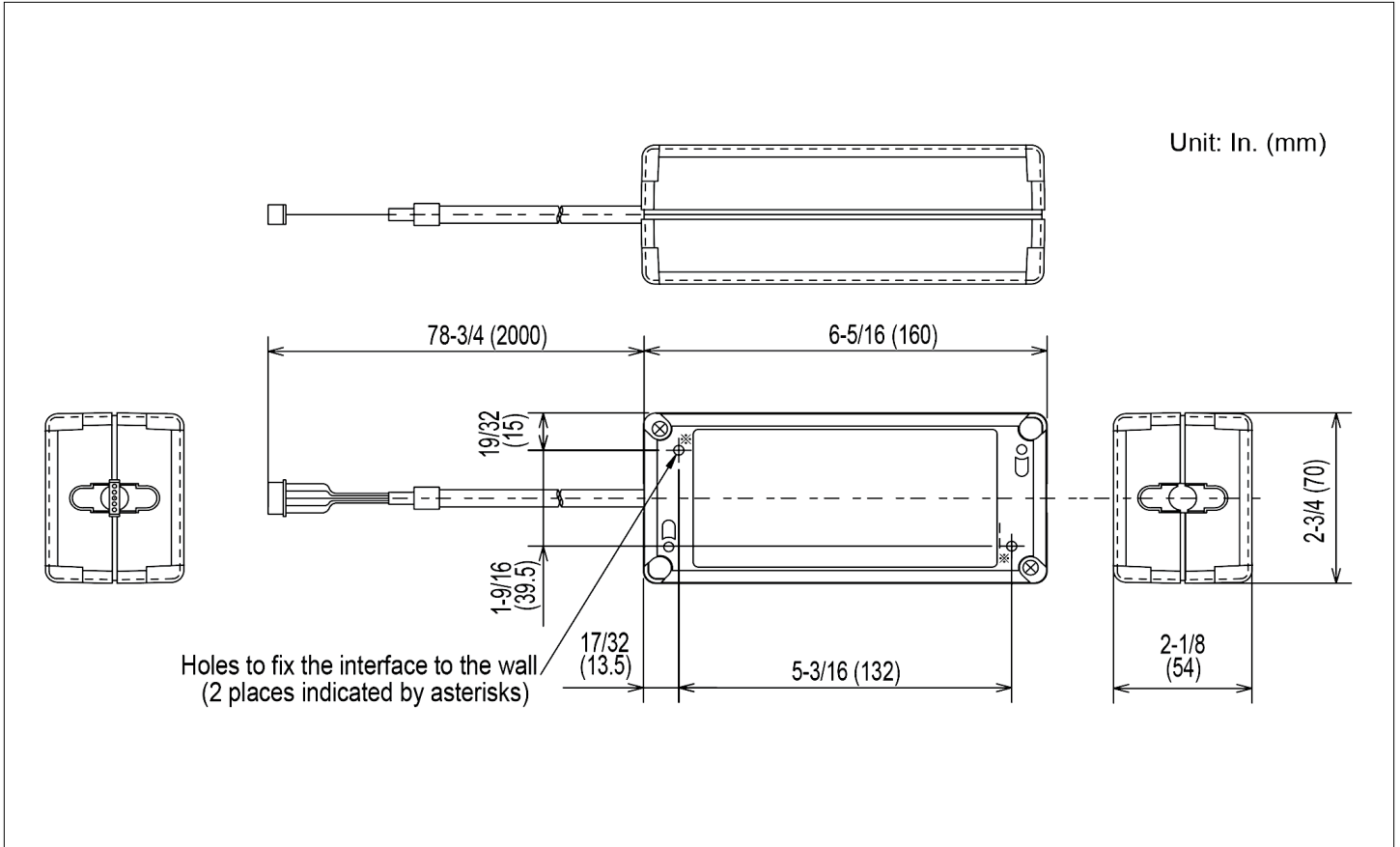
1. Centralized Controller (AE-200, EW-50, AG-150, GB-50ADA, GB-24*, TC-24*, EB-50)
2. System Control Interface (MAC-334IF)
3. M-Series indoor unit
4. CN105 Interface
5. MA Remote Controller
6. Input Contact (field supplied)
7. Output Relay (field supplied)
8. M-Net Power Supply Unit (PAC-SC51KUA)
9. External 12VDC Power Supply (field supplied)
10. BAC-HD150* or LMAP03U*



*GB-24 and TC-24 are not compatible with BAC-HD150 or LMAP03U.

For details on individual components, please refer to the appropriate manual(s).

DIMENSIONS: MAC-334IF-E



COMPATIBILITY

MSY/MSZ	MSZ	MSZ	MSZ	MSY/MSZ	MSY/MSZ	MSZ	MSZ	MSZ	MFZ	MFZ	MLZ
D (NA-8)	EF (NA-U1)	FE (NA-8, 18NA)	FH (NA, NA2)	GE (NA-8, NA-9, 24NA)	GL (NA)	HM (NA-U1)	JP (WA)	WR (NA)	KA (NA)	KJ (NA-U1)	KP (NA)
Wall-mount									Floor-standing		One-way Ceiling- cassette



COOLING & HEATING

1340 Satellite Boulevard, Suwanee, GA 30024
Toll Free: 800-433-4822 www.mehvac.com