

## Samsung Advanced Wired Remote Controller

Job Name \_\_\_\_\_  
 Purchaser \_\_\_\_\_  
 Submitted to \_\_\_\_\_  
 Unit Designation \_\_\_\_\_

Location \_\_\_\_\_  
 Engineer \_\_\_\_\_  
 Reference \_\_\_\_\_ Approval \_\_\_\_\_ Construction \_\_\_\_\_  
 Schedule # \_\_\_\_\_

### Features

#### Easy indoor unit control <sup>1</sup>

- Air handler operation ON/OFF
- Air handler operation mode, set temperature, air flow direction, fan speed
- Discharge air temperature setting (with supported indoor unit models)
- Filter replacement alarm display and reset
- Single indoor unit control or multiple unit control (maximum 16 units)
- Time synchronization with DMS2.5 gateways
- Dual Set Temperature (indoor unit firmware upgrade may be required <sup>2</sup>)
- Advanced HP auto changeover control and configuration (indoor unit firmware upgrade may be required <sup>2</sup>)
- Quiet and sleep modes
- Error display (up to 10 error codes with descriptions)

#### Energy saving operation <sup>1</sup>

- Upper/lower temperature restriction setting
- Occupied/unoccupied settings
- Setback function
- Energy saving operation mode
- Energy consumption monitoring and daily, weekly, monthly, and yearly energy consumption trending (for supported systems)
- Maximum current control for DVM S 3Ø outdoor units (AM\*\*\*XV\*\*\*AA)

#### Weekly operating schedule setting

- Weekly operating schedule
- Able to set desired A/C operation mode, setting temperature and fan speed to operate based on weekly schedules
- Able to apply schedule exception day

#### Other features <sup>1</sup>

- Different button permission levels
- Supports multiple languages (English, Spanish, French, Portuguese)
- Partial button lock options (operation on/off, heat mode, cool mode, fan mode, dry mode, auto mode, set temperature, fan speed, scheduling, Wind-Free, Long-wind, quiet mode, and sleep mode buttons can be locked individually).
- Daylight savings clock advance option
- Temperature limit setting option
- Real-time clock function
- Built-in IR receiver for indoor unit control using a wireless controller and integral room temperature sensor
- Indoor unit operation state display
- Indoor unit service mode support
- Micro SD card slot for simple firmware updating
- Independent louver control for DVM S Series 4-way cassette (AM0\*\*\*N4DCH/AA) and mini 4-way cassette (AM0\*\*\*NNDCH/AA) models.
- Airflow direction control for 360 Cassette (AM0\*\*KN4DCH/AA) indoor units. 360 Cassette units manufactured before 7/1/2016 will require a firmware update to use MWR-WG00UN. Contact Samsung HVAC technical support to obtain the firmware upgrade files. Firmware updating can be done using MIM-C02N communication converter/service tool.
- Adjustable heating temperature compensation values
- Wind-Free™ Control (applies to AM0\*\*NN4DCH/AA, AM0\*\*RN4DCH/AA, AM0\*\*NNDCH/AA, AM0\*\*NN1DCH/AA, and AC0\*\*NN4DCH/AA when using the Wind-Free™ fascia panel)
- MDS (Motion Detection Sensor) Indirect/ Direct Control (applies to AM0\*\*\*N4DCH/AA, AM0\*\*\*NNDCH/AA, and AC0\*\*NN4DCH/AA. MDS sold separately).
- Long Reach Function (for applicable indoor unit models)
- Automatic air volume enable and status viewing (for Duct S models AM0\*\*MNMDCH/AA, AM0\*\*MNHDC/AA, AM0\*\*RNMDCH/AA, and AC0\*\*MNHDC/AA).

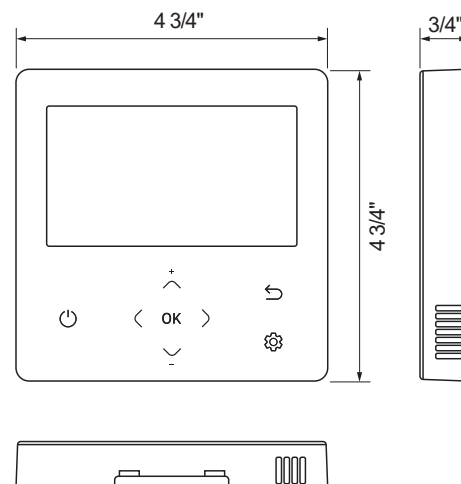
<sup>1</sup> Some features may not be available depending on the model of connected air handler(s)

<sup>2</sup> Firmware upgrade may be required for certain features. Refer to supporting technical bulletins at [www.SamsungHVAC.com/downloads](http://www.SamsungHVAC.com/downloads)



### Specifications\*

- Compatible with Samsung DVM S Systems (AM\*\*\*\*\*AA, MCM-D211UN), and DVM Chiller FCU Kits (MIM-F00N), single zone wall-mounted systems (AR\*\*TSF\*BWKNCV), and single zone cassette, wall-mounted, and ducted systems (AC0\*\*\*N\*\*/AA)
- Can connect and control up to 16 indoor units on a single system or across multiple systems
- 2 Conductor connection
- DC 12V power supplied by indoor unit (consumption: 2W)
- PLC (power line communication) is done on F3/F4 terminals.
- Can sense temperature via internal sensor, temperature sensor inside indoor unit, or use the average temperature between controller and air handler temperature sensors



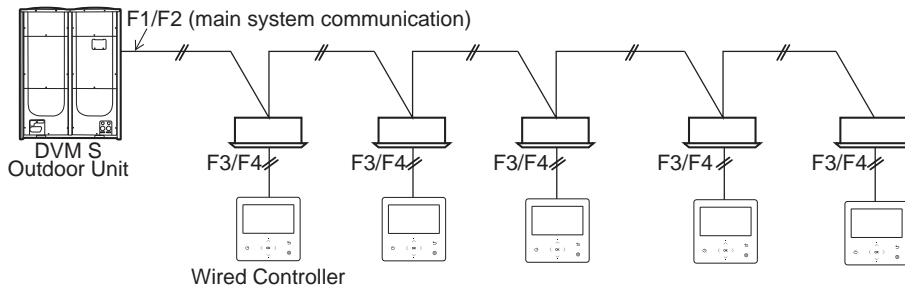
Samsung HVAC maintains a policy of ongoing development, specifications are subject to change without notice.

[www.SamsungHVAC.com](http://www.SamsungHVAC.com)

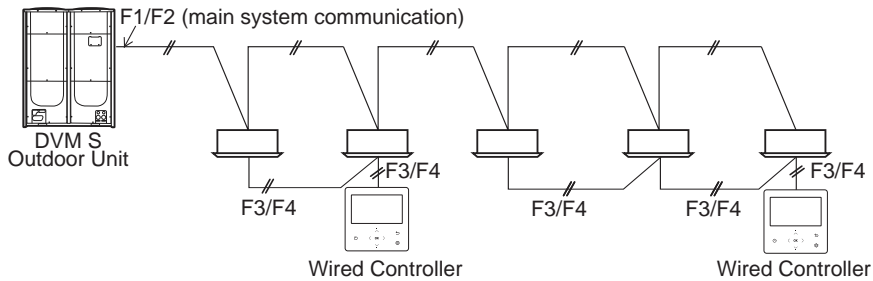
888-699-6067

Samsung Standard Wired Controller  
Common Controller Configurations/Options

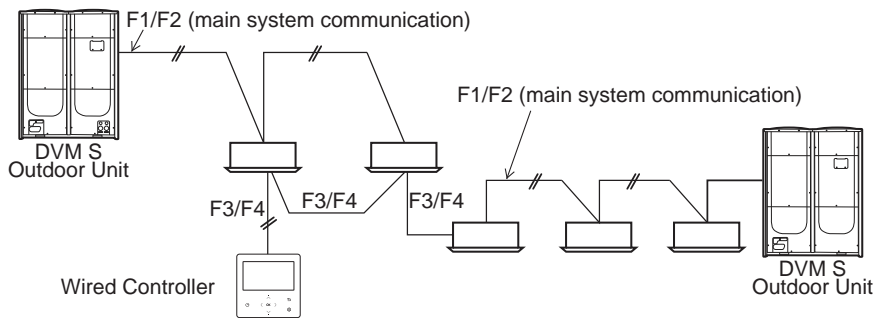
Individual control - 1 indoor unit with 1 wired control



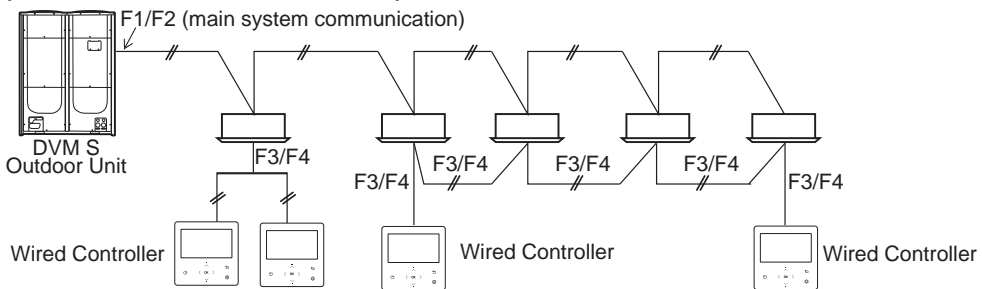
Group control - up to 16 indoor units on 1 wired controller



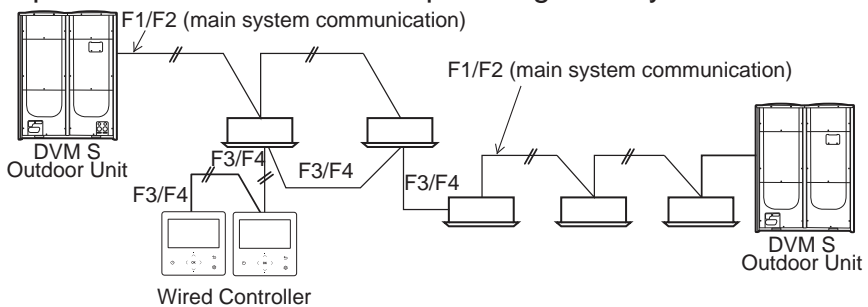
Group control - up to 16 indoor units on 1 wired controller on multiple refrigerant systems



Group control - control 1 or multiple indoor units with 2 wired controllers



Group control - up to 16 indoor units on multiple refrigerant systems with 2 wired controllers



Samsung HVAC maintains a policy of ongoing development, specifications are subject to change without notice.

The diagrams on this page are for reference only. Refer to installation manual for wiring and installation instructions. Other configurations may be possible.