

Job Name _____	Location _____
Purchaser _____	Engineer _____
Submitted to _____	Reference _____ Approval _____ Construction _____
Unit Designation _____	Schedule # _____

### Specifications

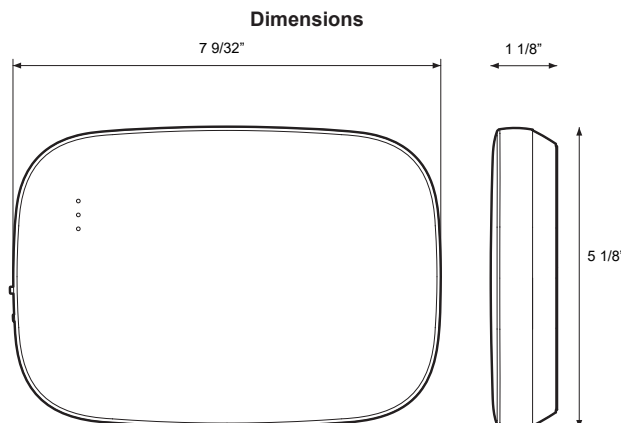
- Wi-Fi adaptor to allow remote control and monitoring of Samsung DVM S indoor units (AM\*\*\*\*N\*\*\*/AA), single zone CAC systems (AC0\*\*\*\*N\*\*\*/AA), and FJM systems with Slim Duct, cassette, and/or console units connected (AJ0\*\*T\*\*\*/AA, AJ0\*\*B\*\*\*/AA) from a mobile device (Android or iOS) via SmartThings app available on Google Play or iTunes app stores.
- System Connectivity
  - Single Wi-Fi adaptor to control and monitor up to 16 indoor units across multiple systems
  - Maximum 16 Wi-Fi adaptors for single DVM S system (control up to 64 indoor units)
  - S-Convertor and SNET Pro 2 service software required to configure connection of multiple WiFi-adaptors to DVM S systems
- User Accounts
  - Maximum 200 accounts, Wi-Fi adaptor quantity per account: 200 units
- Features and Functions
  - Control and monitor indoor unit (individual/group/scene): power status, mode, set temperature, room temperature, fan speed, and supply air louver position
  - Individual power monitoring up to 16 outdoor units (outdoor module can be monitored)
  - Power consumption trend (daily/weekly/monthly)<sup>1</sup>
  - 7 Day scheduling for a single unit or multiple indoor units
  - Logic control with automation
  - Geo-fencing capable
  - Voice control via mobile device (compatible with Bixby2.0 and above and other voice control services)
  - Firmware update by using Micro SD card
- Operating Conditions
  - Ambient temperature range: 32 ~ 104°F (0 ~ 40°C)
  - Relative humidity range: 30 ~ 90%



### Connection

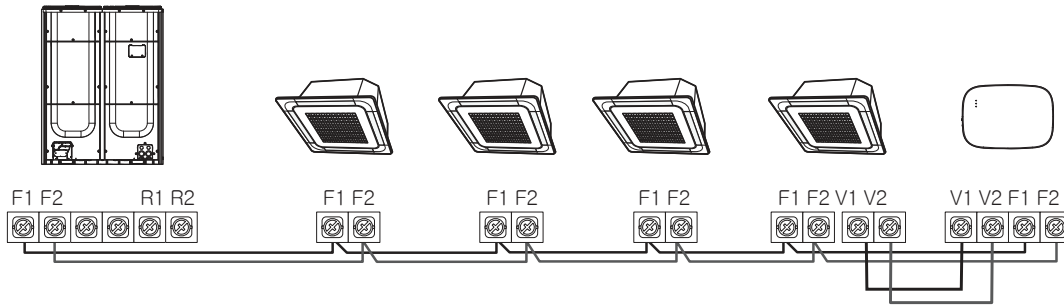
- 4 wire connection to an indoor unit (F1/F2, V1/V2)
- 12VDC supplied by indoor unit (V1/V2)
- Can be used along with other Samsung central control options
- Requires a local Wi-Fi router with DHCP enabled and an internet connection
- Wi-Fi communication: 802.11b, g, n (2.4 GHz and 5 GHz supported)
- Mobile device must be on the local network for initial Wi-Fi adapter configuration and connection

<sup>1</sup>Energy consumption data is for general reference only and should not be used for billing purposes. Data provided will not necessarily match your utility bill. Not all indoor models support energy consumption data.

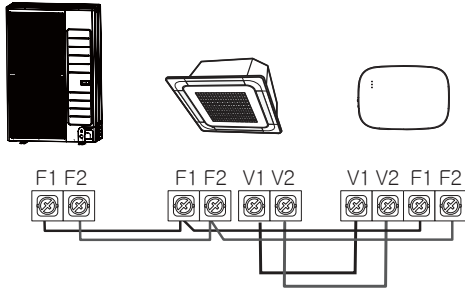


Samsung HVAC maintains a policy of ongoing development, specifications are subject to change without notice.

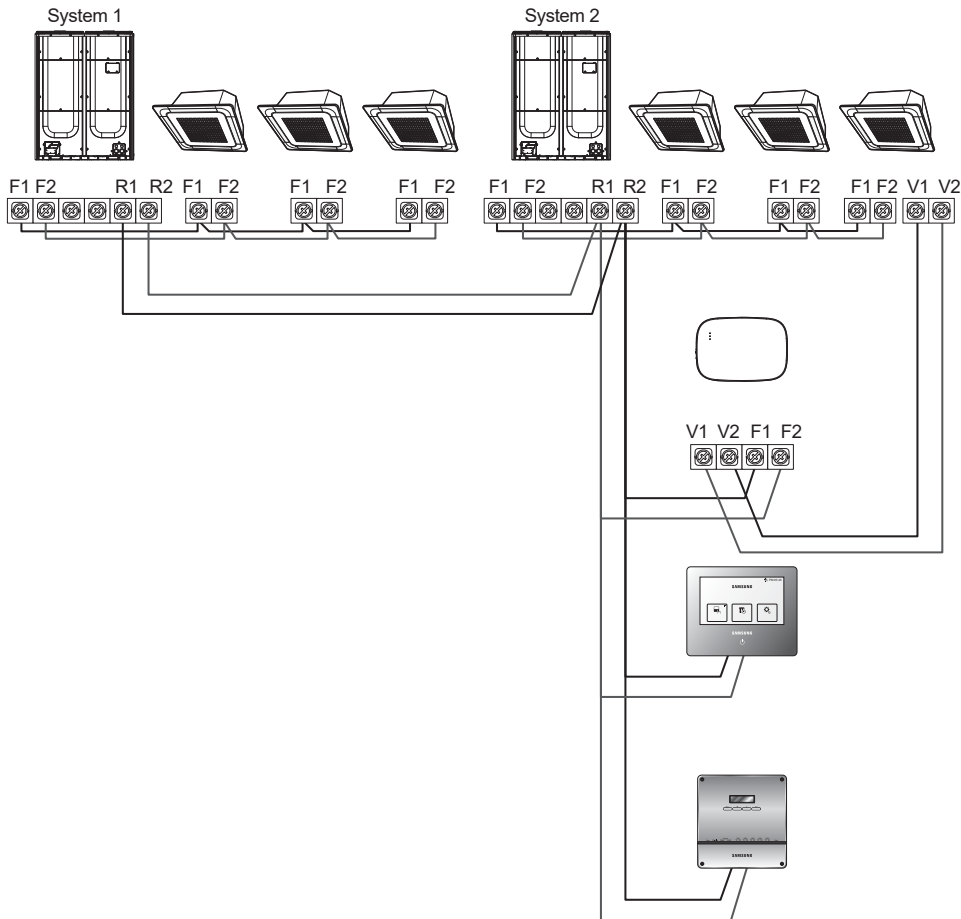
### Connecting to DVM S Systems\*



### Connecting to CAC Systems\*

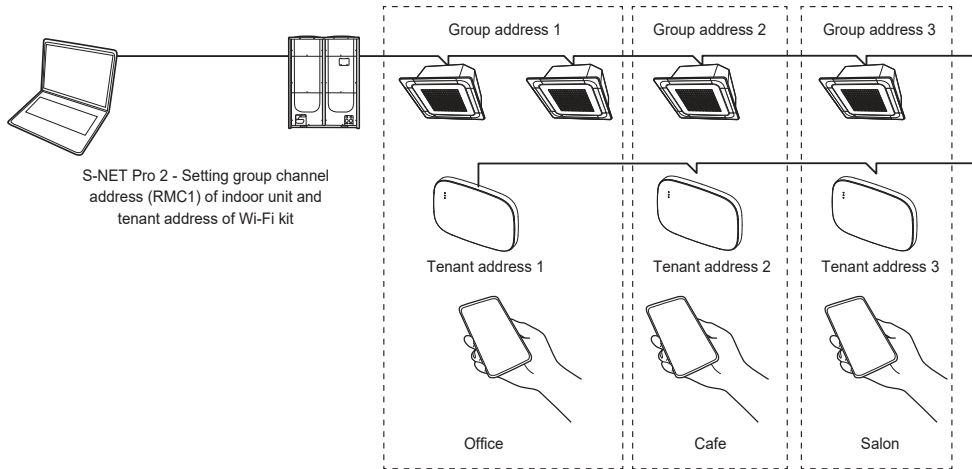


### Connecting to Multiple Systems

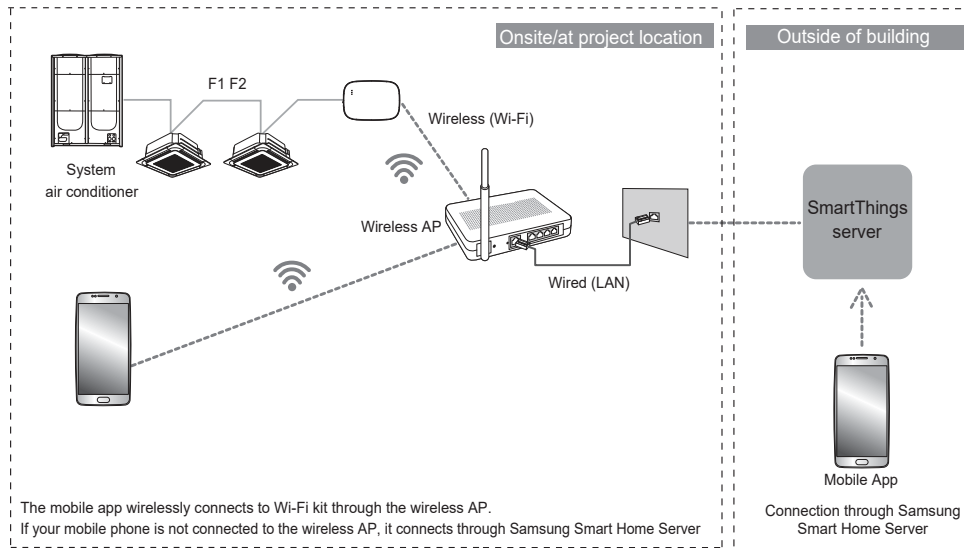


\*Other configurations are possible. For general reference only. Refer to installation manual and technical data book for more information.

**Connecting multiple MIM-H05UN Wi-Fi Adapters to a Single DVM S System**



**Network Communication Diagram\***



\*Other configurations are possible. For general reference only. Refer to installation manual and technical data book for more information.