

Samsung External Contact Control Module

Job Name _____
 Purchaser _____
 Submitted to _____
 Unit Designation _____

Location _____
 Engineer _____
 Reference _____ Approval _____ Construction _____
 Schedule # _____

Description

- Direct indoor unit ON/OFF control (a single evaporator) by external contact, 0 volts signal (indoor unit control will vary based on indoor unit model and series, consult indoor unit installation manuals and supporting documents for full operation details).
- Outdoor unit night time quiet mode manual activation by external contact, 0 volts signal (when installed in supported MAIN DVM S outdoor units).
- Indoor unit control with simple contact input
- Indoor unit operation and error state output through relay contacts
- Outdoor unit compressor operation and error state and manual activation of night quiet mode (when installed in supported DVM S outdoor units)
- Installs inside individual indoor units that need control or in MAIN outdoor unit (DVM S Series outdoor units only)
- Control indoor unit and have synchronous control with other devices through the external contact input/output signals
- Operation output relay can be configured to open/close based on operation ON/OFF or thermal ON/OFF state (compressor ON/OFF state when installed in outdoor unit)
- Backup unit control when using the Emergency Temperature Output (ETO) option settings for supported DVM S and CAC indoor units. (1) MIM-B14 per indoor unit required.
- DVM S indoor unit supplemental heat control with configurable temperature offset and time delay settings.
- Use examples: hotel key card switch, door/window switch, PIR sensor with timed relay, other occupancy sensors, enabling/disabling other ventilation



Specifications

Indoor unit option setting must be set to enable external contact control (when installing inside indoor unit)

External contact input signal short (closed): indoor ON (evaporator and controller behavior can be modified with installation option code modifications)

External contact input signal open: indoor off (evaporator and controller behavior can be modified with basic option setting modifications)

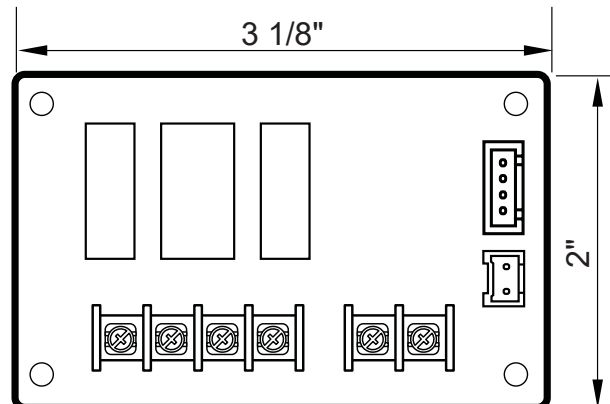
Input load across input terminals: 5V, 5mA

Can connect to DVM S outdoor units, DVM S Eco, DVM Chiller, DVM S indoor units, CAC indoor units, FJM multi-zone system indoor units, and Samsung RAC single zone wall unit systems (excluding Novus).

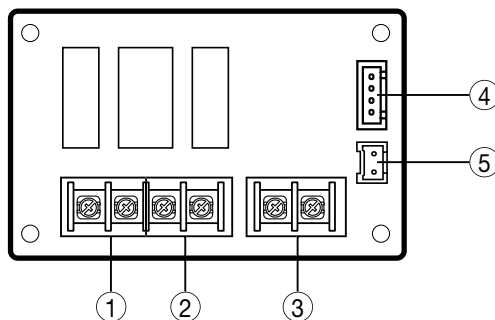
Wires directly to indoor or outdoor unit PCB (CN81 and CN83) with included connectors

Ships with mounting bracket and enclosure (for indoor installation).

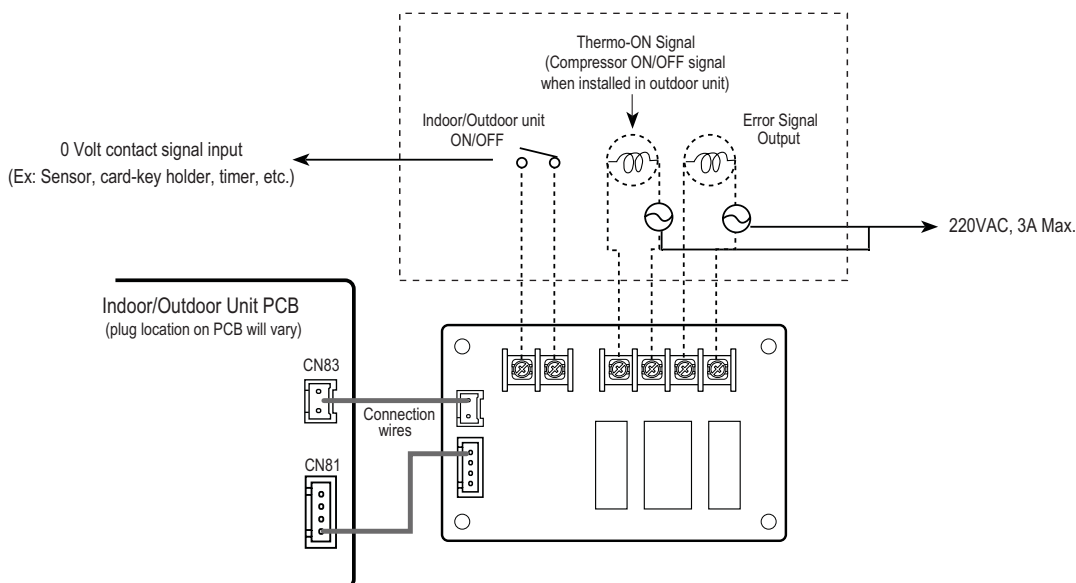
Dimensions: 3 1/8" X 2"



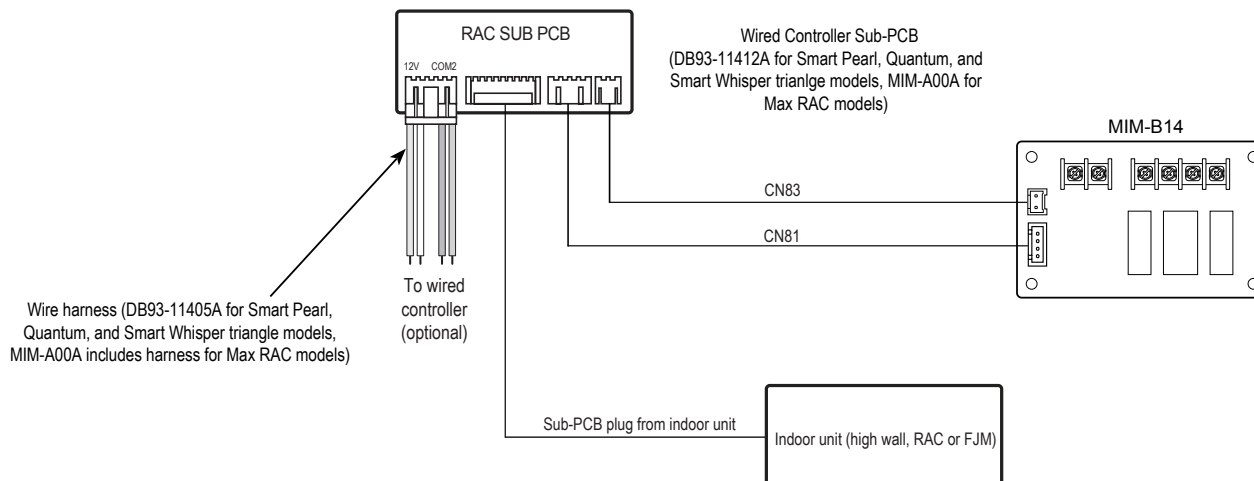
Connection details



No.	Input/Output	Contact Rating	Operation
①	Error State	220 VAC, 3A	Normally closed, opens upon error
②	Indoor unit thermo ON/OFF state	220 VAC, 3A	Start: closed, Stop: open
③	Operation signal input		5VDC, 5mA
④	Connection to indoor/outdoor unit		
⑤	Connection to indoor/outdoor unit		



Connection to Samsung RAC (single zone) wall units and FJM (multi-zone) wall units



Connection to Samsung RAC / FJM wall mounted units (AR**TSF*BWKN, RNS***BT)

