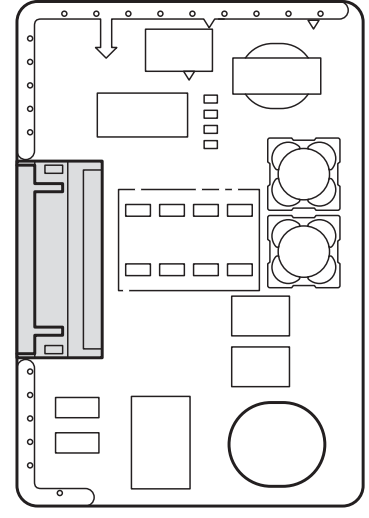
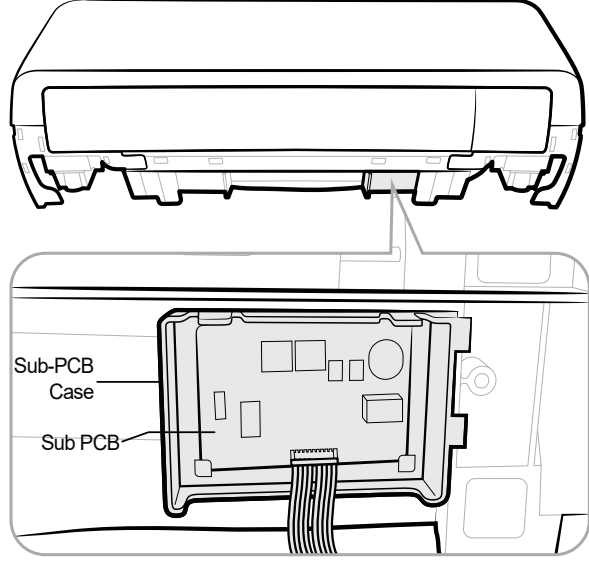


Job Name _____	Location _____
Purchaser _____	Engineer _____
Submitted to _____	Reference _____ Approval _____ Construction _____
Unit Designation _____	Schedule # _____

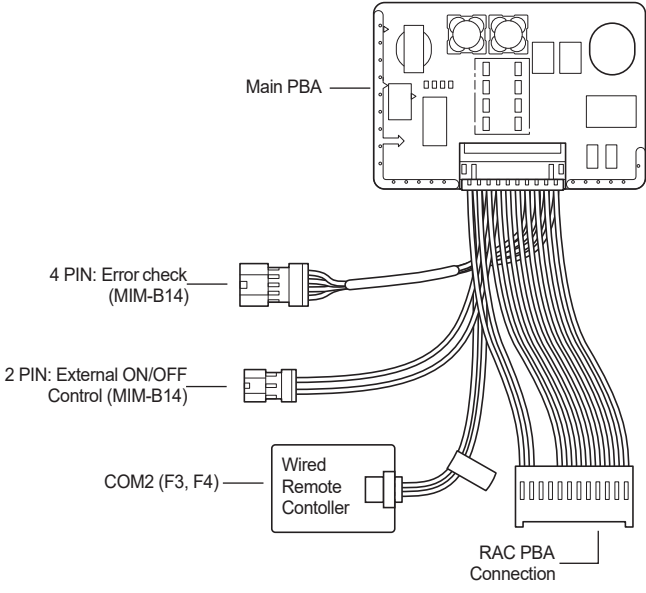
- Required to connect and control an indoor unit with wired controller models: MWR-WG00UN, MWR-SH11UN, MWR-WE13UN
- Compatible models: AR**TSFABWKN, AR**TSFYBWKN
- Provides 12VDC and communication to Samsung wired controllers
- Required when using MIM-B14 External Contact Control Module for simple ON/OFF control and operation/error output
- Installs in a single indoor unit
- Includes MIM-A00UN sub-PCB, wire harness, and case



MIM-A00UN installation location in RAC AND FJM indoor unit



MIM-A00UN SUB PCB



Samsung HVAC maintains a policy of ongoing development, specifications are subject to change without notice.