

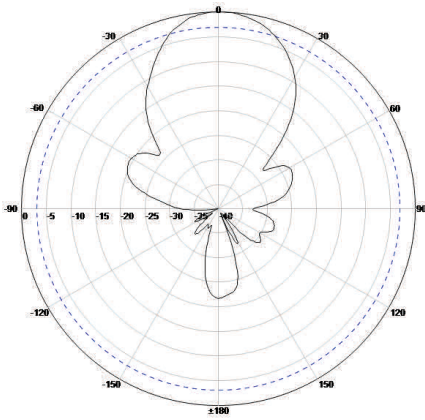
## 2.4/5 GHz 6/5 dBi Dual Band MIMO Antenna With RPSMA Plug Connector

The TerraWave 2.4/5 GHz 6 dBi Dual Band MIMO Antenna is ideal for high density venues such as lecture halls, stadiums, casinos and convention centers that require 2.4 /5 GHz frequency coverage and MIMO operation. It is designed for 3-lead RPSMA access points such as the Aruba 114, 134, 214, 224 models, and the Motorola 7532. The antenna features a low profile design with high gain and narrow directional beamwidths. The antenna can be pole/mast mounted and includes a universal articulating mount. *All TerraWave antennas are covered by the company's two - year TerraNet warranty program. For questions or to purchase product, contact your Regional Sales Executive at 210-375-8482, 800-851-4965 or [sales@terrawave.com](mailto:sales@terrawave.com).*

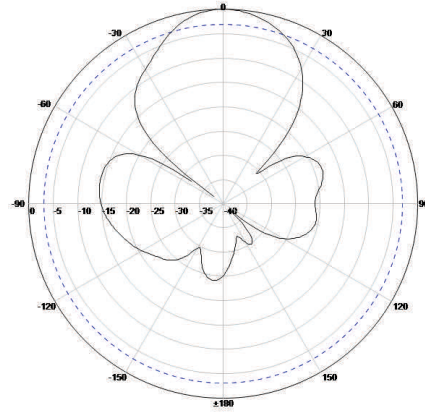
Electrical Specifications		
Model	M6060060P1D320	
Frequency Range	2400 ~ 2500 MHz	5150 ~ 5850 MHz
Polarization	Vertical	
Gain	6 dBi	5 dBi
Electrical Downtilt	0°	
Azimuth 3dB Beamwidth	2.4GHz:35 ± 8°	5GHz:50 ± 15°
Elevation 3dB Beamwidth	2.4GHz:35 ± 8°	5GHz:50 ± 15°
Front-to-back Ratio (dB)	25	
Isolation (dB)	28	
Impedance	50 Ohm	
VSWR	≤2	
Maximum Power	50 Watts	
Lightning Protection	DC Ground	
Mechanical Specifications		
Connector	3 x RPSMA-Male (Plug)	
Connector Position	End of 36" Pigtailed	
Cable Type	RG142 with White Jacket	
Height/Width/Depth	15"x15"x1.25"	
Weight	11.8 oz.	
Radome Material	UV Resistant ABS	
Radome Color	Ivory	
Back Plate Material	Oxidation Processed Aluminum	
Vibration	IEC 60721-3-4	
Flammability	UL94HB	
Waterproofing	IP65	
Salt Fog	IEC 68-2-11	
Operating Temperature (degrees F)	-40° ~ 140°	
Rated Wind Load (m/s)	60	
Mount	Industrial	
Mounting Style	Pole Mount	
Mounting Bracket Material	Die Cast Aluminum	



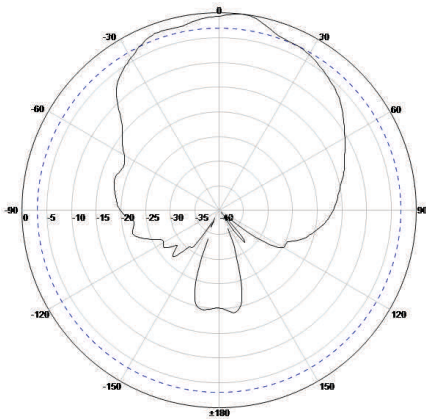
## 2.4/5 GHz 6/5 dBi Dual Band MIMO Antenna With RPSMA Plug Connector



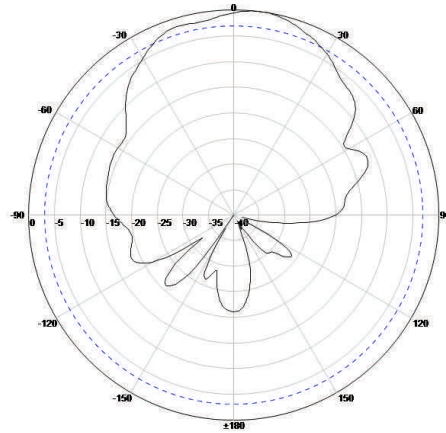
2.4 GHz E Plane



2.4 GHz H Plane



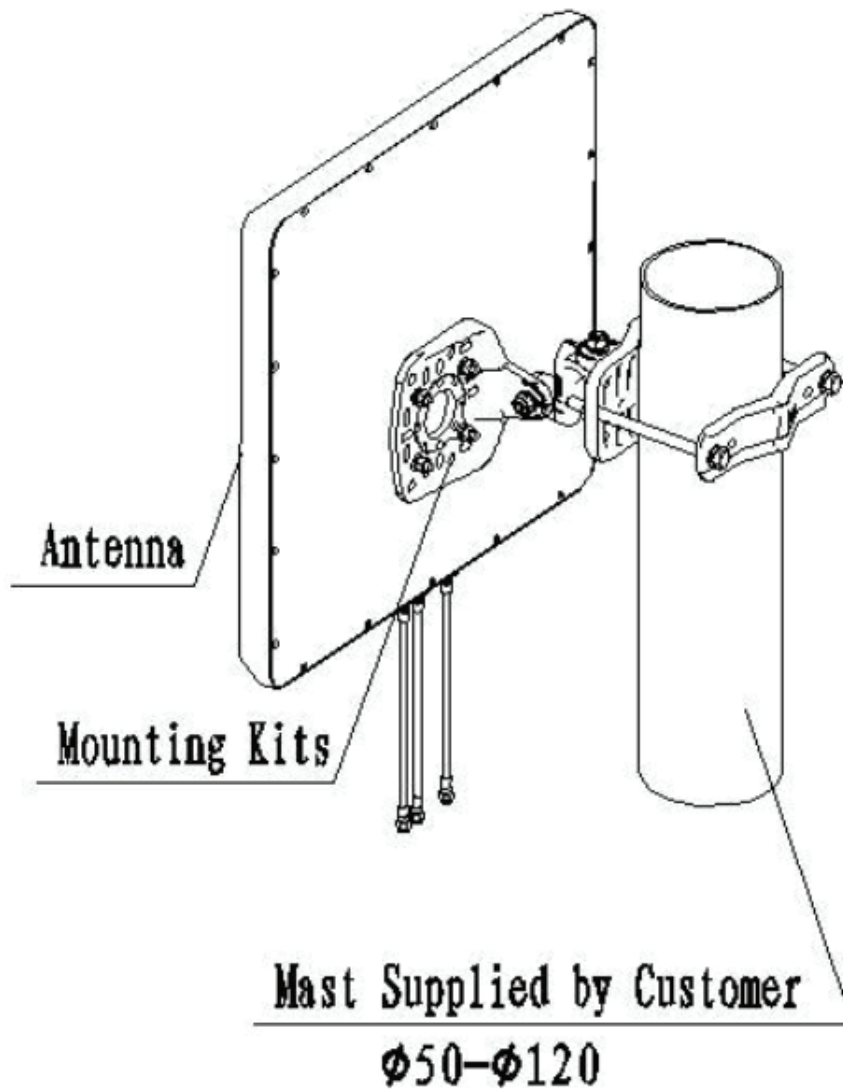
5 GHz E Plane



5 GHz H Plane

## 2.4/5 GHz 6/5 dBi Dual Band MIMO Antenna With RPSMA Plug Connector

Mounting Bracket Information for M6060060P1D320



\*Actual antenna has 36 inch pigtails