

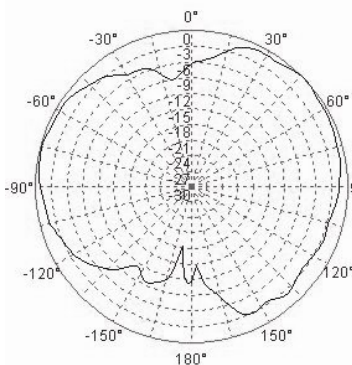


## 2.4/5 GHz 3/4 dBi 2 Pack Mini MIMO Omnidirectional Antenna with RPSMA Plug Connectors, Dual Band Leads

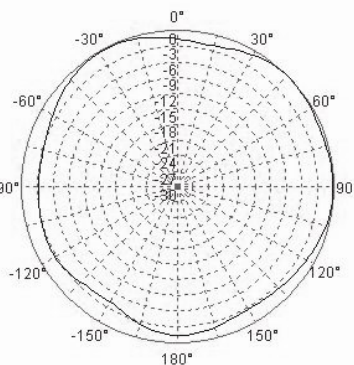
Ventev's TerraWave 2.4/5 GHz 3/4 dBi ceiling mount omnidirectional antenna is designed to operate with any indoor wireless communication system. With dual-band leads, each 36" cable supports both 2.4 and 5 GHz, making it an ideal and **aesthetically-pleasing** antenna to support demanding indoor applications. *Every Ventev TerraWave antenna is RoHS compliant, and is covered by the two-year TerraNet warranty program. For more information, contact Ventev 800-851-4965 or sales@ventev.com.*



Specifications	
Model	M603004001D3620DP
Frequency Range	2400~2500 / 5150~5850 MHz
Bandwidth	100 / 700 MHz
Gain	3 dBi / 4 dBi
Vertical Beamwidth	100° / 100°
Horizontal Beamwidth	360°
VSWR	≤ 2.0
Polarization	Vertical
Max Power	2W
Lightning Protection	DC Grounded
Connector	2 x RPSMA Plugs
Dimensions	2.9" x 5.4"x1.0
Weight	.39 lbs
Operating Temperature Range	-40°F to +158°F
Cables	2 x 36" RG-58 plenum coaxial

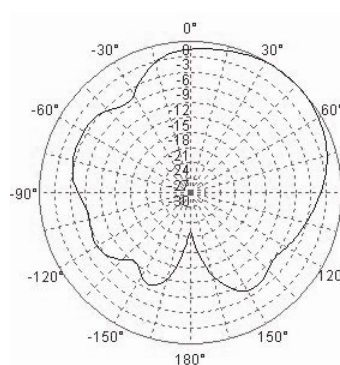


E-Plane Pattern

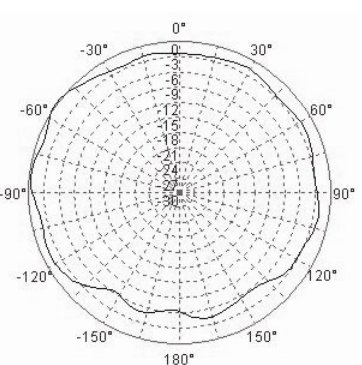


H-Plane Pattern

2.4 GHz



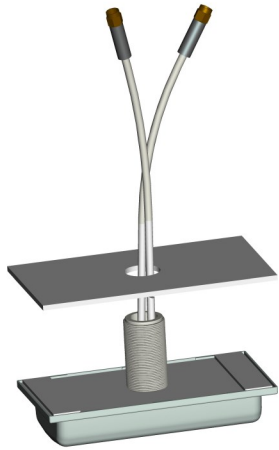
E-Plane Pattern



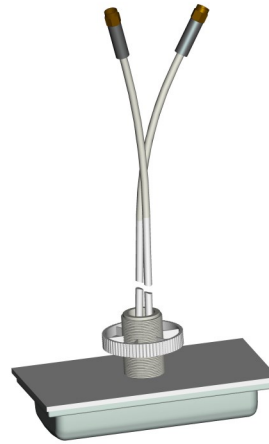
H-Plane Pattern

5 GHz

2.4/5 GHz 3/4 dBi 2 Pack Mini MIMO  
Omnidirectional Antenna with RPSMA Plug Connectors, Dual Band Leads



#RR:EXP002111



#RR:EXP000311