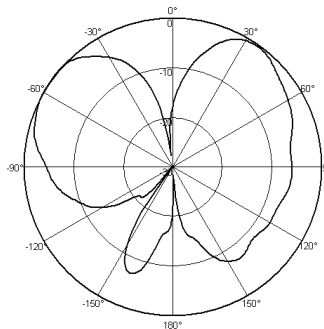


## 2.4/5 GHz 2.5/4 dBi Dual-band Mini MIMO Ceiling Mount Omnidirectional Antenna

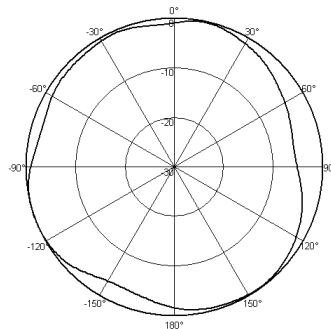
The 2.4/5 GHz ceiling mount multiple-input and multiple-output (MIMO) omnidirectional antenna is designed to be operated with any manufacturer's enterprise-class 802.11n MIMO access points (APs). The antenna features six integrated 2.4 and 5 GHz dual-band omni antennas in one enclosure, making it an ideal and aesthetically-pleasing antenna to support demanding applications in next generation IEEE 802.11n indoor wireless communication systems. *All TerraWave antennas are covered by the Company's two-year TerraNet warranty program. For questions and to purchase product, contact a wireless networking solutions sales engineer at 210-375-8482, 800-851-4965 or sales@terrawave.com. Visit www.terrawave.com for additional information.*



Specifications	
Model	M6025040MO1D3620P
Frequency Range	2400 ~ 2483 / 5150 ~ 5850 MHz
Bandwidth	83 / 700 MHz
Gain	2.5 / 4 dBi
Vertical Beamwidth	55° / 60°
Horizontal Beamwidth	360°
VSWR	≤ 2.0 / ≤ 2.5
Nominal Impedance	50 Ohms
Polarization	Vertical
Max Power	50 Watts
Connector	RPSMA Plug
Pigtail Length	36" Plenum
Dimensions	7.1" x 5.1" x 1.9"
Weight	0.68 lbs
Operating Temperature Range	-40°F to +158°F
Mounting Style	Ceiling Mount

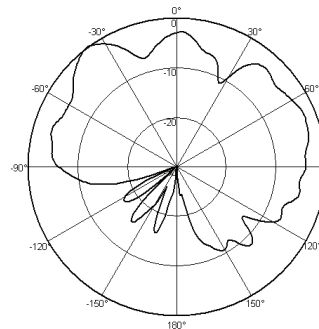


E-Plane Pattern

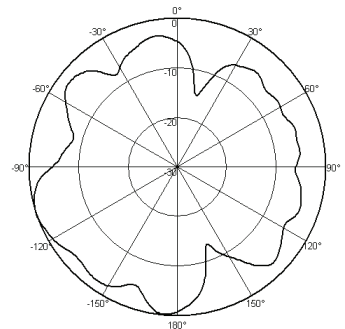


H-Plane Pattern

2.4 GHz



E-Plane Pattern



H-Plane Pattern

5 GHz

## 2.4/5 GHz 2.5/4 dBi Dual-band Mini MIMO Ceiling Mount Omnidirectional Antenna

### Mounting Information for M6025040MO1D3620P

