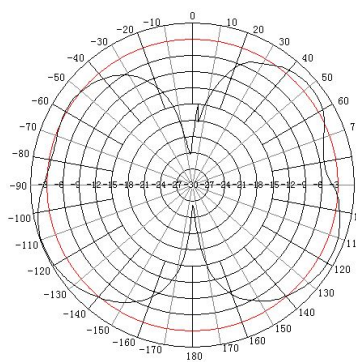




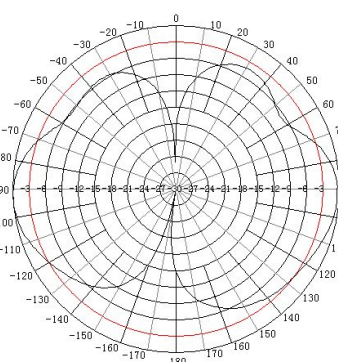
## TerraWave Solutions® 690-960/1700-2500 MHz 3/3.5 dBi Ceiling Mount Omnidirectional Antenna with N-Style Jack Connector

TerraWave's 690-960/1700-2500 MHz indoor omni antenna is designed for indoor wireless networks operating in the LTE, Cellular or 2.4GHz frequency range. This antenna is ideal for any indoor voice and data wireless system. Includes an N-style Jack connector and a ceiling mount. Every TerraWave antenna is covered by the Company's two-year TerraNet warranty program. For questions and to purchase product, contact a wireless networking solutions sales engineer at 210-375-8482, 800-851-4965 or sales@terrawave.com. Visit [www.terrawave.com](http://www.terrawave.com) for additional information.

Specifications	
Model	M3030035O11206
Frequency Range	690-960 MHz / 1700-2500 MHz
Gain	3 / 3.5 dBi
Polarization	Vertical
Horizontal Beamwidth	360°
Vertical Beamwidth	50° / 45°
VSWR (Typical)	≤ 1.5
Nominal impedance	50 Ohm
Maximum Power Rating	100 W
Dimension (D x H)	3.9" x 5.1"
Weight	1.7 lbs
Connector Type	N-Style Jack
Mounting	Ceiling
Operating Temperature	-40°F to 140°F

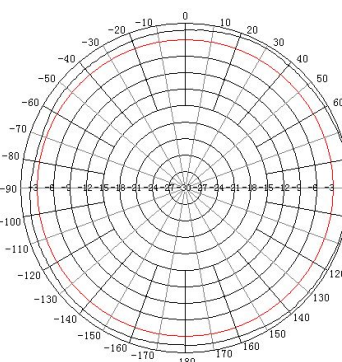


900 MHz

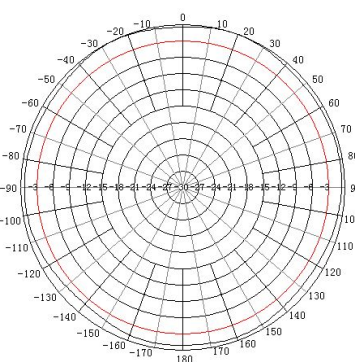


2000 MHz

E-Plane



900 MHz



2000 MHz

H-Plane



**TerraWave Solutions® 690-960/1700-2500 MHz 3/3.5 dBi Ceiling Mount  
Omnidirectional Antenna with N-Style Jack Connector**

**Mounting Information for M3030035O11206**

1. Drill a 3/4" hole in the ceiling.
2. Feed mounting bolt through the hole in the ceiling.
3. Secure the nut on the bolt and tighten.

