

615 MHz-960 MHz / 1710 MHz-2700 MHz, 0-3.5 dBi, 4G 5G Omni antenna, Indoor / Outdoor rated, White - N Type Female Connector



## HG62703UW-NF

### Features

- Type N Female Connector
- White Omni for Indoor or Outdoor
- IP67 Weatherproof for all Environments
- 0 to 3 dBi Gain

### Applications

- 4G & 5G Networks, Public or Private
- 600, 700, 850, 900, 1800, 1900, 2100, 2600 MHz
- IoT, Cellular, Zigbee, Z-Wave, Bluetooth

### Description

The HG62703UW-NF 5G Omnidirectional White Antenna from L-com is a high performance, compact and lightweight antenna which ships same day. This omnidirectional antenna is designed for the 600 MHz to 2700 MHz bands. It features a brass N Type female connector. The N female connector allows it to be mounted to a radio or terminal with a coaxial jumper and provides flexibility of mounting location. L-com's HG62703UW-NF is a coaxial sleeve design with an omni-directional pattern. It is ideally suited for 4G, 5G, LTE and other sub 6 GHz Cellular bands in both private and public networks.

The L-com 5G high performance omnidirectional HG62703UW-NF is a flexible antenna providing broad coverage and 0 to 3.5 dBi gain. It is suitable as for any network using sub 6 GHz 5G bands including 600, 700, 800, 850, 900, 1800, 1900, 2100, 2300 and 2600 MHz bands. The HG62703UW-NF is painted white to blend in with open sky and other light colored backgrounds.

This 5G Cellular antenna just like our wide selection of superior quality RF parts, ship same day. Contact our knowledgeable and friendly technical support and sales staff for your answers on antennas or other L-com products.

### Configuration

Design	Portable
Band Type	Multi
Radiation Pattern	Omni Directional
Wavelength	1/4
Polarization	Vertical
Connector Type	N Female

### Electrical Specifications

Description	Minimum	Typical	Maximum	Units
Frequency Range	615		2.7	MHz
Input VSWR			3:1	
Impedance		50		Ohms
Gain		3.5		dBi
Gain	0			dBi

### Specifications by Band

615 MHz-960 MHz / 1710 MHz-2700 MHz, 0-3.5 dBi, 4G 5G Omni antenna, Indoor / Outdoor rated, White - N Type Female Connector



**HG62703UW-NF**

Description	Band 1	Band 2	Band 3	Band 4	Band 5	Units
Range	615-960	1,710-2,700				MHz
Gain	0	3.5				dBi

**Mechanical Specifications**

Radome Material: ABS  
 Height: 7.18 in [182.37 mm]

**Connectors**

Description	Connector 1	Connector 2	Connector 3
A	B	C	D
Body Material and Plating	Brass		

**Environmental Specifications**

**Temperature**  
 Operating Range: -20 to +65 deg C  
 Storage Range: -20 to +65 deg C  
 Environment: IP67

**Compliance Certifications** (see [product page](#) for current document)

**Plotted and Other Data**

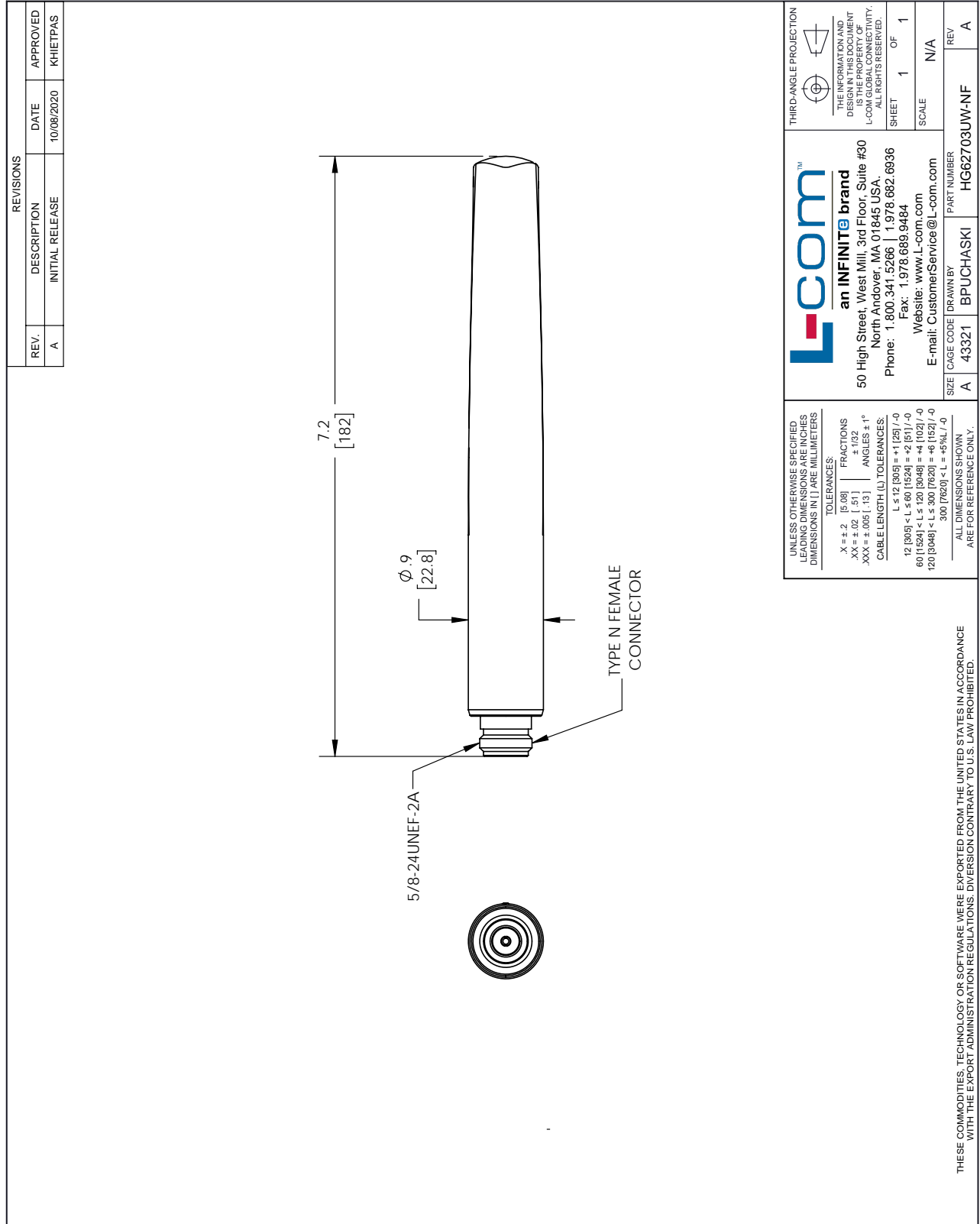
Notes:

615 MHz-960 MHz / 1710 MHz-2700 MHz, 0-3.5 dBi, 4G 5G Omni antenna, Indoor / Outdoor rated, White - N Type Female Connector from L-com has same day shipment for domestic and International orders. Our portfolio includes coaxial cable assemblies, connectors, adapters and custom products as well as lightning and surge protectors, NEMA rated enclosures, and an RF product line which includes antennas, amplifiers, passive, and active components.

The information contained within this document is accurate to the best of our knowledge and representative of the part described herein. It may be necessary to make modifications to the part and/or the documentation of the part in order to impliment improvements. L-com reserves the right to make such changes as required. Unless otherwise stated, all specifications are nominal. L-com does not make any representation or warranty regarding the suitability of the part described herein for any particular purpose, and L-com does not assume liability arising out of the use of any part or document.

615 MHz-960 MHz / 1710 MHz-2700 MHz, 0-3.5 dBi, 4G 5G Omni antenna,  
Indoor / Outdoor rated, White - N Type Female Connector

L-com CAD Drawing



UNLESS OTHERWISE SPECIFIED LEADING DIMENSIONS ARE IN INCHES DIMENSIONS IN [ ] ARE IN MILLIMETERS

TOLERANCES:

.X = ±.2 [5.08]	FRACTIONS ± 1/32
.XX = ±.02 [ .51]	ANGLES ± 1°
.XXX = ±.005 [ .13]	

CABLE LENGTH (L) TOLERANCES:

L ≤ 12 [305] < L ≤ 60 [1524] = ±1 [25] / -0
60 [1524] < L ≤ 120 [3048] = ±4 [102] / -0
120 [3048] < L ≤ 300 [7620] = ±6 [152] / -0
300 [7620] < L = +5% / -0

ALL DIMENSIONS SHOWN ARE FOR REFERENCE ONLY.

**L-com™**  
an INFINITI® brand  
50 High Street, West Mill, 3rd Floor, Suite #30  
North Andover, MA 01845, USA.  
Phone: 1.800.341.5266 | 1.978.682.6936  
Fax: 1.978.689.9484  
Website: www.L-com.com  
E-mail: CustomerService@L-com.com

THIRD-ANGLE PROJECTION

THE INFORMATION AND DIMENSIONS SHOWN ARE THE PROPERTY OF L-COM GLOBAL CONNECTIVITY. ALL RIGHTS RESERVED.

SHEET 1 OF 1

SCALE N/A

SIZE	CAGE CODE	DRAWN BY	PART NUMBER	REV
A	43321	BPUCHASKI	HG62703UW-NF	A