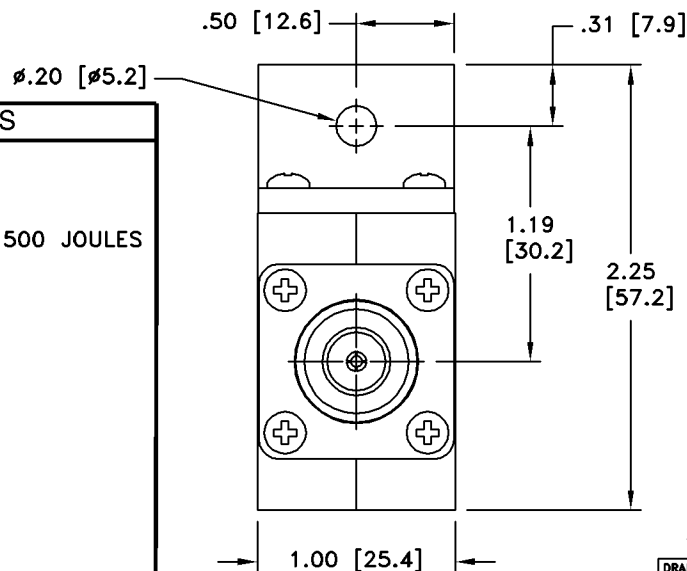
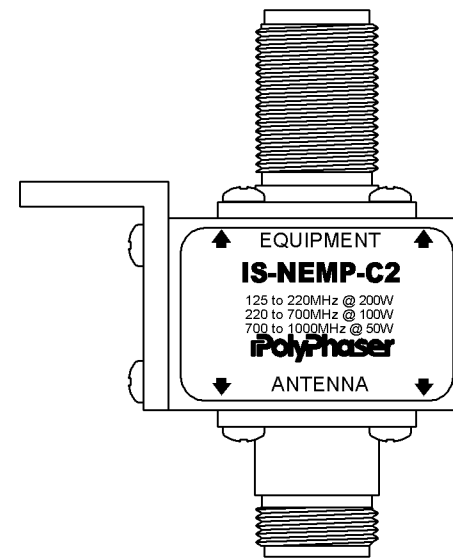
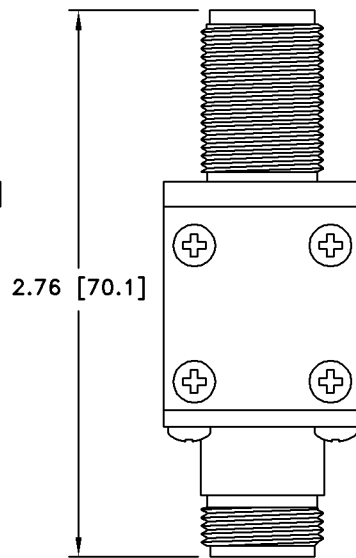
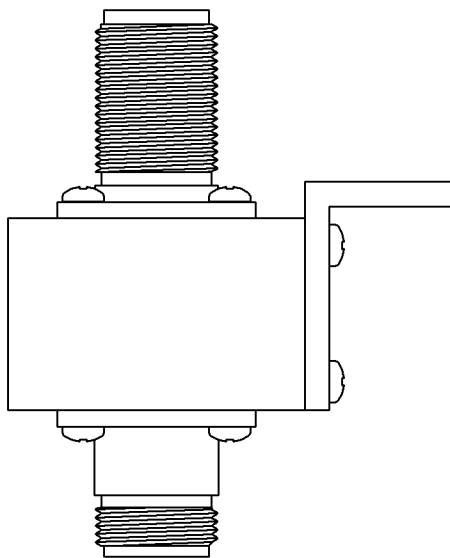


ALL DESIGN, OPERATIVE AND PROCESS DATA PERTAINING TO THE ARTICLE SHOWN ON THIS SHEET IS THE PROPERTY OF POLYPHASER CORPORATION. THE INFORMATION IS NOT TO BE COPIED, REPRODUCED, REVEALED TO OR APPROPRIATED BY OTHERS WITHOUT THE EXPRESS WRITTEN CONSENT OF POLYPHASER CORPORATION.

These commodities or technology are exported from the U.S. in accordance with the Export Administration Regulations. Diversion contrary to U.S. law prohibited.

REVISIONS				
REV LTR	DATE	ENG	MKTG	Q.A.
D	03/08/07	CM	AD	-



MAXIMUM CHARACTERISTICS
APPLICATION: BULKHEAD MOUNT
SURGE: 50kA IEC 1000-4-5 8/20μs WAVEFORM 500 JOULES
FREQUENCY RANGE: 125MHZ TO 1000MHZ
TURN-ON: 330Vdc ±20%
TURN-ON TIME: 1.5ns FOR 2kV/ns
VSWR: ≤1.1:1 @ 125 TO 1000MHZ
INSERTION LOSS: ≤0.1dB OVER FREQUENCY RANGE
MAX POWER: VHF 200W, UHF (LOW) 100W 800MHZ TO 1GHZ 50W
THROUGHPUT ENERGY: ≤250μJ TYPICAL
TEMPERATURE: -45°C TO +85°C STORAGE/OPERATING +50°C
VIBRATION: 1G AT 5Hz TO 100Hz

CUSTOMER APPROVAL: _____ DATE: _____
ALL DIMENSIONS SHOWN ABOVE ARE FOR REFERENCE ONLY.

DRAFTER S. HALL	DATE 07/29/99
MECH ENGINEER M. MATTSON	DATE 03/20/00
ELEC ENGINEER K. BARTEL	DATE 03/21/00
MARKETING R. JUCHEM	DATE 03/21/00
QUALITY DEPT J. BERNARD	DATE 03/20/00

PolyPhaser

P.O. BOX 9000 MINDEN, NY 89423 TEL: 775-782-2511 FAX: 775-782-4476
DWG NO/PART NO/DESCRIPTION

IS-NEMP-C2
CUSTOMER PRINT

CAGE CODE 61114	FILE NAME -C1	SCALE 1/1	SHEET 1 OF 1
--------------------	------------------	--------------	-----------------