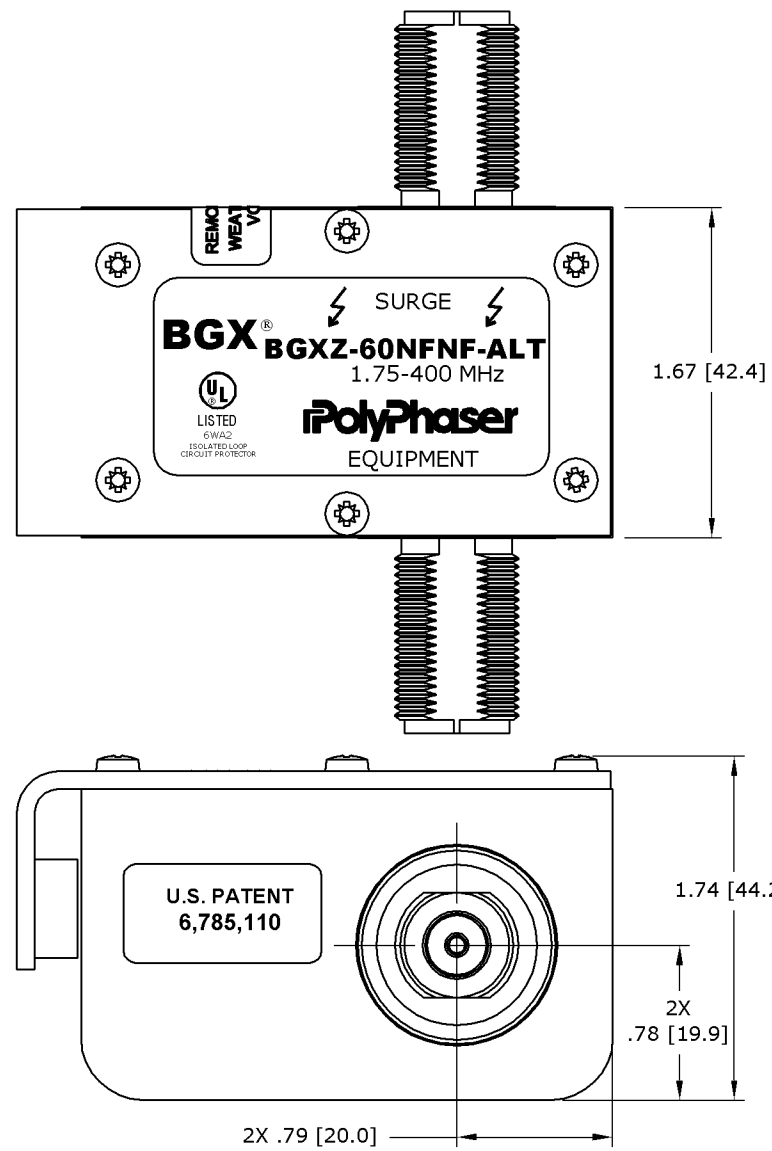
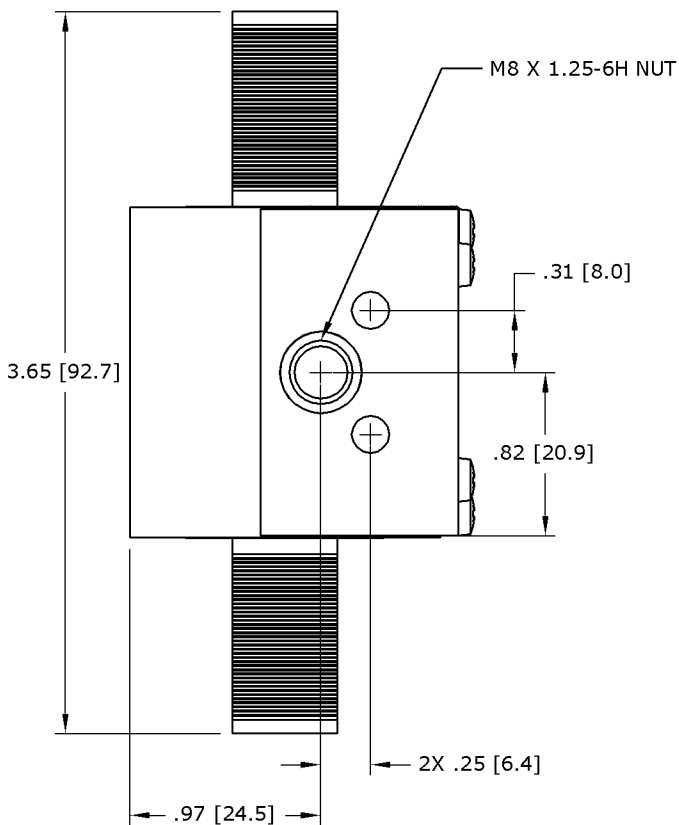


TO THE ARTICLE SHOWN ON THIS SHEET IS THE PROPERTY OF POLYPHASER CORPORATION. THE INFORMATION IS NOT TO BE COPIED, REPRODUCED, REVEALED TO OR APPROPRIATED BY OTHERS WITHOUT THE EXPRESS WRITTEN CONSENT OF POLYPHASER CORPORATION.

REV LTR	DATE	ENG	MKTG	Q.A.
A	03/31/09 SH	KCB	PB	LJ



CHARACTERISTICS	
APPLICATION: WEATHERIZED, FLANGE OR BULKHEAD MOUNT	
FREQUENCY RANGE: RF: 40MHz TO 400MHz	
RETURN LOSS: ≥ 26 dB	
INSERTION LOSS: ≤ 0.25 dB	
TELEMETRY: 1.75 TO 5MHz	
RETURN LOSS: ≥ 14 dB	
INSERTION LOSS: ≤ 0.40 dB	
TELEMETRY: 5MHz TO 25MHz	
RETURN LOSS: ≥ 26 dB	
INSERTION LOSS: ≤ 0.25 dB	
RF POWER: 100W RMS MAX	
USER VOLTAGE: ± 60 Vdc, ± 65 Vdc MAX TEMPORARY	
USER CURRENT: 4.0 ADC CONTINUOUS	
DC RESISTANCE: $\leq 0.15 \Omega$	
DC TURN -ON (BREAKDOWN): ± 66 Vdc	
TURN ON TIME: 4ns FOR 2kV/ns	
MAX. SURGE: 20kA IEC 61000-4-5 8/20 μ s WAVEFORM	
THROUGHPUT ENERGY: ≤ 2.5 mJ FOR 3kA, 8/20 μ s WAVEFORM	
RELATIVE HUMIDITY: TO 95%	
ENVIRONMENTAL: IEC 60529 IP67	
MEETS BELLCORE #TA-NWT-000487 PROCEDURE 4.11, WIND DRIVEN (120MPH) RAIN INTRUSION TEST.	
TEMPERATURE: -50°C TO +85°C STORAGE/OPERATING	

HARDWARE KIT # 9100-0279

DESCRIPTION	QTY
5/8"-24 HEX NUT	1
5/8" INTERNAL L/WASHER	1
O-RING 019 SILICONE	1
SCREW CAP M8 X 1.25 X 10mm	1
5/8" EXT TOOTH L/WASHER 18-8SS	1

These commodities or technology are exported from the U.S. in accordance with the Export Administration Regulations. Diversion contrary to U.S. law prohibited.

CUSTOMER APPROVAL: _____ DATE: _____
ALL DIMENSIONS SHOWN ABOVE ARE FOR REFERENCE ONLY.

DRAFTER S. HALL	DATE 06/04/08	 <small>P.O. BOX 9000, MENDEN, NV 89423 TEL: 775-782-2511 FAX: 775-782-4476</small> DWG NO/PART NO/DESCRIPTION			
MECH ENGINEER R. DUNNING	DATE 07/02/08				
ELEC ENGINEER K. BARTEL	DATE 07/01/08	BGXZ-60NFnF-ALT CUSTOMER PRINT			
MARKETING W. OKEEFE	DATE 07/02/08				
QUALITY DEPT L. JACQUES	DATE 07/01/08	CAGE CODE 61114	FILE NAME -C1	SCALE NOTED	SHEET 1 OF 1