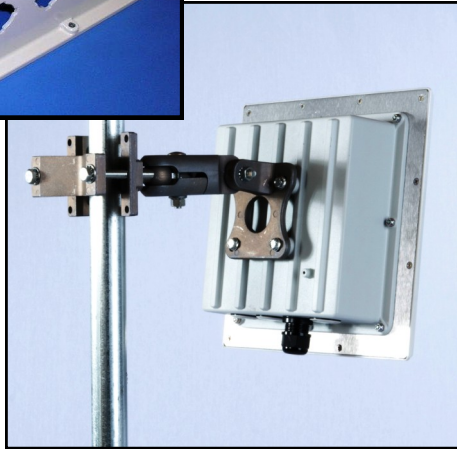
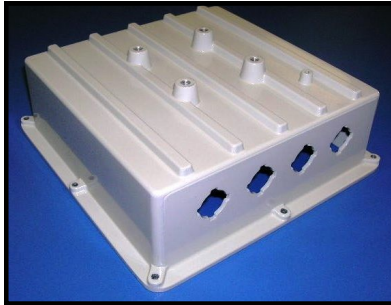


# Generation II Enclosures for ARC IES™ Integrated Enclosure Solution with Patented Universal Mounting Feature Part Number: ARC-IE20XXK01



- **ARC IES™ is a complete enclosure solution that includes the ARC ABS™ or ARC LBS brackets**
- **Quick installation with custom Radio Installation Tool - contact ARC for more details**
- **Numerous antenna options available (see below—sold separately)**
- **Hardware kit includes:**
  - 4 Swivel Posts and 8 screws to mount radio to enclosure
  - 1 cable gland feed-thru with gasket and nut for Ethernet connectivity
  - 3 plastic plugs with gaskets and nuts
  - 1 screw for external grounding
  - 9 screws and nuts for enclosure attachment to antenna



**Standalone enclosure with cover plate**

<b>Enclosure Specs</b>	
Enclosure Part Numbers	ARC-IE2000K01, ARC-IE2002K01, ARC-IE2010K01 and ARC-IE2012K01
Outer Dimensions Length x Width x Depth	8.6in x 8.6in x 3.17in (21.8cm x 21.8cm x 8.1cm)
Inner Dimensions Length x Width x Depth	7.47in x 7.47in x 2.5in (19.0cm x 19.0cm x 6.4cm)
Exterior Coating	Powder coated, die cast aluminum, light gray, textured
Wind Survivability	125mph (201kph)
Wind Load	.52ft <sup>2</sup> (.048m <sup>2</sup> ) *Wind Load displayed is for enclosure with cover plate attached. See antenna data sheets for wind load with antenna attached.
Operating Temperature Range	-40 to 185 °F (-40 to +85 °C)

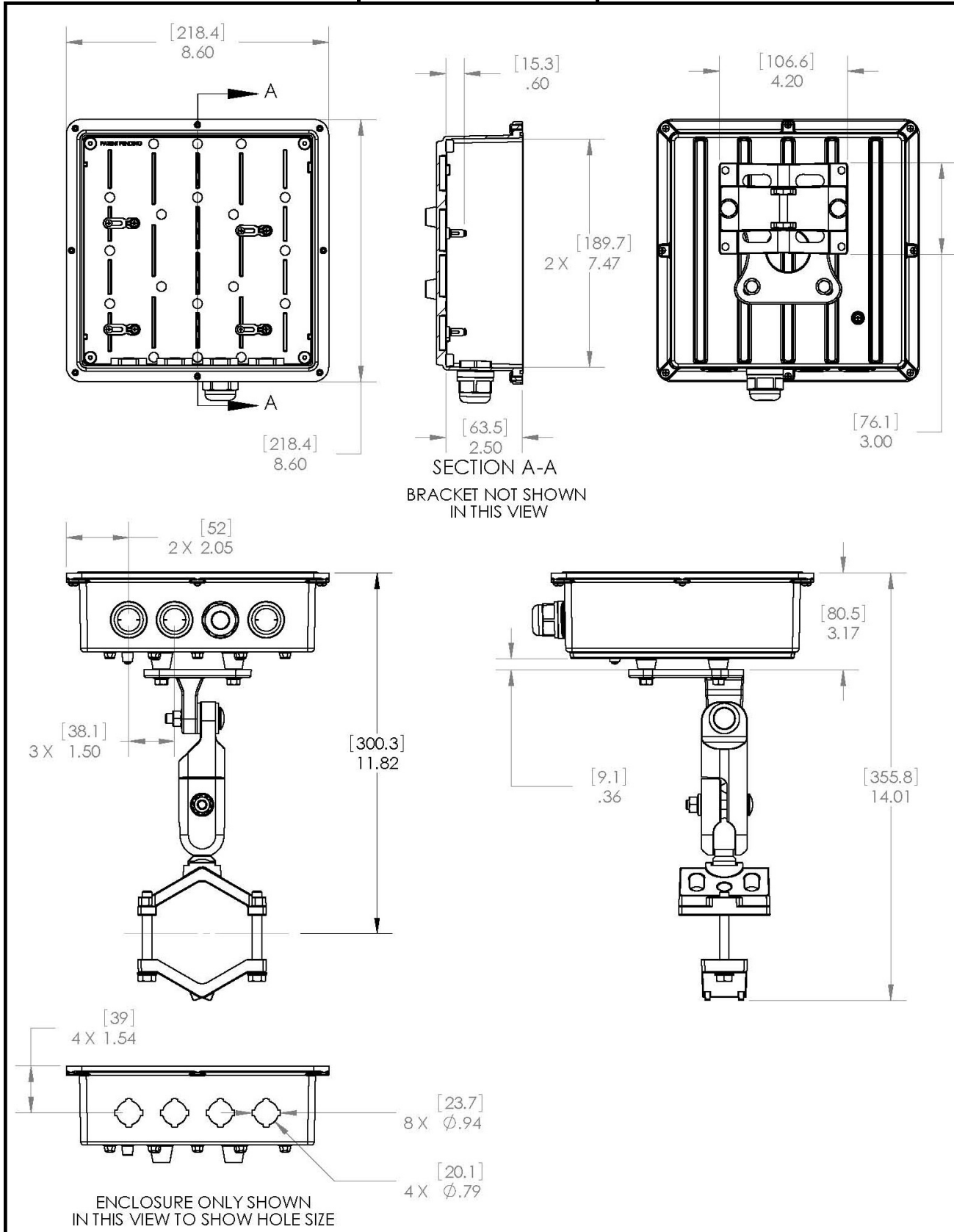
<b>Antenna Options:</b>	
900MHz	3.5GHz
2.4GHz	4.9GHz
2.5GHz	5.8GHz
<b>MULTIPLE GAINS AVAILABLE.</b>	
Check <a href="http://www.antennas.com">www.antennas.com</a> for new antenna releases.	

<b>ARC ABS™, Articulating Bracket Solution Specs</b>	
Bracket Part Number	ARC-BR0701S01 (included when ordering ARC-IE2000K01 or ARC-IE2002K01)
Length x Width x Depth	10.59in x 4.17in x 3.54 in (26.9cm x 10.6cm x 9.0cm)
Weight	2.0lb (.91 kg)
Material	Chromated die-cast Aluminum with zinc plated steel bolts
Pole Mount Diameter Range	1.0in to 3.0in (2.5cm to 7.6cm)

<b>ARC LBS, L-Bracket Solution Specs</b>	
Bracket Part Number	ARC-BR9003S01 (included when ordering ARC-IE2010K01 or ARC-IE2012K01)
Length x Width x Depth	5in x 4in x 6in (12.7cm x 10.2cm x 15.2cm)
Weight	2.0lb (.91 kg)
Material	Zinc plated steel
Pole Mount Diameter Range	1.0in to 3.0in (2.5cm to 7.6cm)

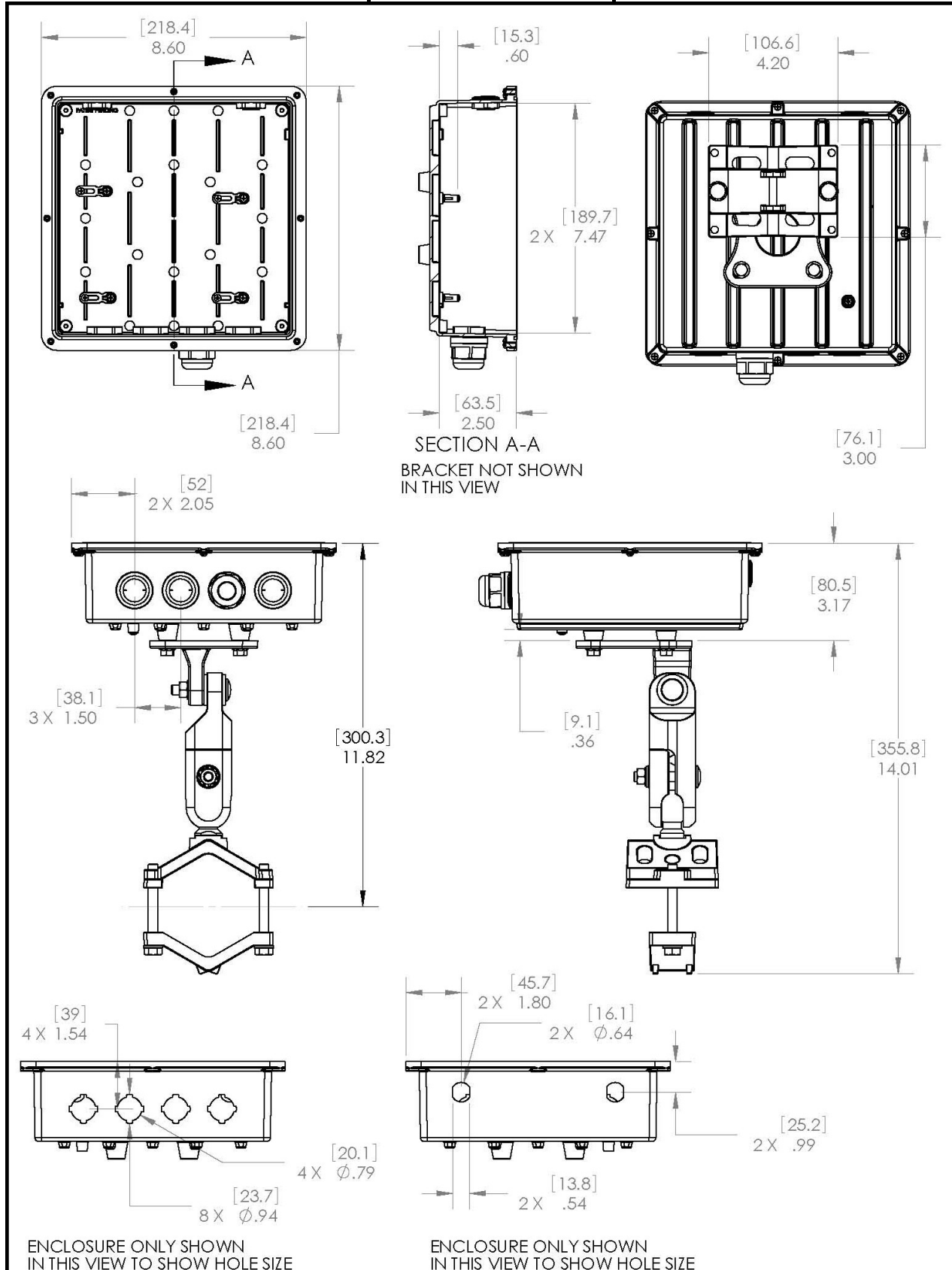
# Interface Control Documents for ARC IES™ Generation II Enclosures

## ARC-IE2000K01



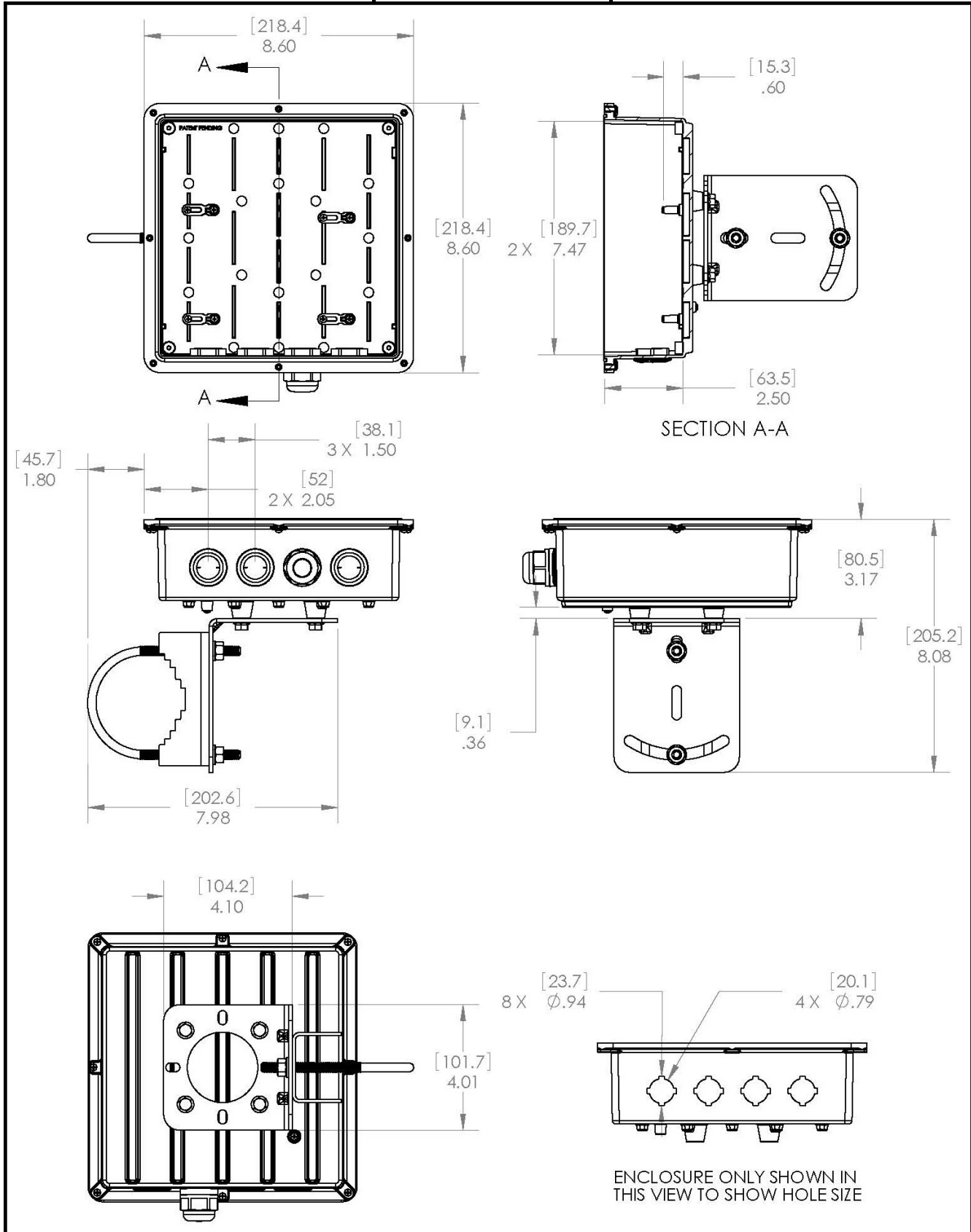
# Interface Control Documents for ARC IES™ Generation II Enclosures

## ARC-IE2002K01



# Interface Control Documents for ARC IES™ Generation II Enclosures

## ARC-IE2010K01



# Interface Control Documents for ARC IES™ Generation II Enclosures

## ARC-IE2012K01

