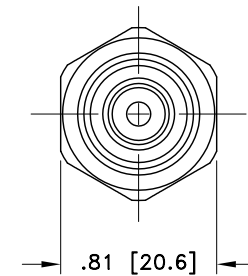
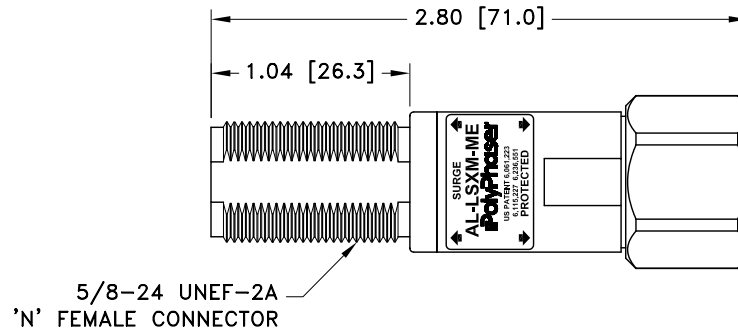
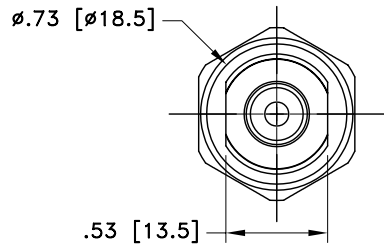


ALL DESIGN, OPERATIVE AND PROCESS DATA PERTAINING TO THE ARTICLE SHOWN ON THIS SHEET IS THE PROPERTY OF POLYPHASER CORPORATION. THE INFORMATION IS NOT TO BE COPIED, REPRODUCED, REVEALED TO OR APPROPRIATED BY OTHERS WITHOUT THE EXPRESS WRITTEN CONSENT OF POLYPHASER CORPORATION.

REVISIONS				
REV LTR	DATE	ENG	MKTG	Q.A.
A	01/04/07 <sub>RD</sub>	JJ	CP	LJ



### MAXIMUM CHARACTERISTICS

#### APPLICATION:

BULKHEAD/ALUMINUM CONSTRUCTION  
WEATHERPROOF WHEN INSTALLED

#### SURGE:

10kA IEC 61000-4-5 8/20μs WAVEFORM

#### FREQUENCY RANGE:

2.0GHz TO 6.0GHz

#### VSWR:

≤1.2:1 TYPICAL (≤1.3:1 MAX.)

#### INSERTION LOSS:

≤0.1dB TYPICAL (≤0.2dB MAX.)

#### RETURN LOSS:

≥20dB TYPICAL

#### CONTINUOUS POWER:

10W

#### LET THROUGH VOLTAGE:

±3 VOLTS FOR 3kA @ 8/20μs WAVEFORM

#### THROUGHPUT ENERGY:

≤0.5μJ FOR 3kA @ 8/20μs WAVEFORM

#### VIBRATION:

1G @ 5Hz TO 100Hz

#### TEMPERATURE:

-40°C TO +85°C STORAGE/OPERATING

#### ENVIRONMENTAL:

MEETS IEC 60529 IP65

MEETS BELLCORE

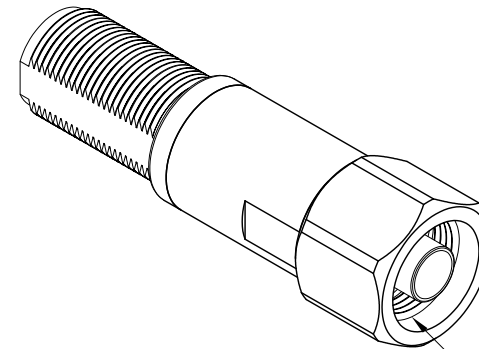
#TA-NWT-000487 PROCEDURE 4.11

WIND DRIVEN RAIN INTRUSION TEST @ 120MPH

#### MATERIAL:

BODY: 7075 ALUMINUM


CENTER PINS: BRASS OR BERYLLIUM COPPER  
GOLD PLATED PER MIL-G-45204  
TYPE II, GRADE C, CLASS 1



5/8-24 UNEF-2B  
'N' MALE CONNECTOR

CUSTOMER APPROVAL: \_\_\_\_\_ DATE: \_\_\_\_\_

ALL DIMENSIONS SHOWN ABOVE ARE FOR REFERENCE ONLY.

DRAFTER R. SWART	DATE 08/28/03	 P.O. BOX 9000 MINDEN, NV 89423 TEL: 775-782-2511 FAX: 775-782-4476 DWG NO/PART NO/DESCRIPTION <b>AL-LSXM-ME</b> <b>CUSTOMER PRINT</b>	
MECH ENGINEER R. DUNNING	DATE 09/08/03		
ELEC ENGINEER J. JONES	DATE 09/04/03		
MARKETING S. DOTTER	DATE 09/05/03		
QUALITY DEPT L. JACQUES	DATE 09/04/03		
CAGE CODE 61114	FILE NAME -C1	SCALE 1/1	SHEET 1 OF 1

*These commodities or technology are exported from the U.S. in accordance with the Export Administration Regulations. Diversion contrary to U.S. law prohibited.*