


INSTALLATION INSTRUCTIONS

IMPORTANT: Read entire instructions before starting the thermostat.

SAFETY CONSIDERATIONS

Read and follow manufacturer instructions carefully. Follow all local electrical codes during installation. All wiring must conform to local and national electrical codes. Improper wiring or installation may damage sensor.

Recognize safety information. This is the safety alert symbol.  When the safety alert symbol is present on equipment or in the instruction manual, be alert to the potential for personal injury.

Understand the signal words DANGER, WARNING, and CAUTION. These words are used with the safety alert symbol. DANGER identifies the most serious hazards which will result in severe personal injury or death. WARNING signifies a hazard that could result in personal injury or death. CAUTION is used to identify unsafe practices which would result in minor personal injury or property damage.

GENERAL

In applications where additional wiring cannot be run, the Add-A-Wire™ accessory can be used to add a wire to the thermostat. The accessory is also used to fix a broken wire, to make one thermostat work like two, add cooling to a heat only system, or add a common wire to a 4-wire system (the green and yellow wires of the Diode ‘Y’ may not be connected to the R or C terminal of the thermostat).

CONTENTS

CONTENTS	QUANTITY
Add-A-Wire Accessory	1
Diode ‘Y’	1
Wire Nuts	4

INSTALLATION

Step 1 – Location – The Add-A-Wire accessory can be mounted inside the HVAC unit or inside the control box. The Add-A-Wire accessory should not be installed in a location where the accessory or wiring may be exposed to the elements. Wires running from accessory are 9-in. Long. Add-A-Wire accessory should be within 9-in. Of thermostat connections to HVAC terminal block.

If required, mount the Add-A-Wire accessory with 2 screws (not-provided). See Fig. 1.

Step 2 – Wiring Requirements – The Add-A-Wire accessory wiring has the following requirements:

1. All system wiring must be in compliance with all applicable local and national codes.
2. All wiring should be color coded in conformance with standard recommendations.
3. All wiring should be 18- 22-gage, unshielded wire. The Maximum distance between the accessory and the thermostat for 18-gage wire is 100ft. The maximum distance between the Accessory and the thermostat for 22-gage. Wire is 36 ft.

Step 3 – Accessory Wiring

 WARNING

Before installing Add-A-Wire accessory, turn off all power to the unit. There may be more than one power disconnect. Electrical shock can cause injury or death.

Depending on the application and the usage of the Add-A-Wire accessory, wiring will vary. Refer to the wiring diagrams in Fig. 2-5 for more information on wiring the accessory.

- The BLUE wire of the Add-A-Wire accessory must always be connected to the BLUE wire of the Diode ‘Y’.
- DO NOT connect the Add-A-Wire accessory BLUE, GREEN, or YELLOW wires to the R and C terminals of the HVAC unit, damage may result.
- The GREEN and YELLOW wires of the Diode ‘Y’ should be regarded as extensions of the yellow and green wires of the Add-A-Wire accessory. For example, if the YELLOW wire on the Diode ‘Y’ is connected to terminal W on the thermostat to control heat, the YELLOW wire on the Add-A-Wire accessory must be connected to W on the HVAC unit to control heat. If the GREEN wire on the Diode ‘Y’ is connected to terminal G on the thermostat to control the fan, the GREEN wire on the Add-A-Wire accessory must be connected to G on the HVAC unit to control the fan.
- Use the wirenuts for wire connections to the Diode ‘Y’.
- The wiring diagrams are examples of the uses of the Add-A-Wire accessory. Each example may have more than one method of connection that will work. An experienced installer may use different combinations to achieve desired results.
- Do not connect the green and yellow wires of the Diode ‘Y’ to the R or C terminal of the thermostat.

VENSTAR®

**ADD-A-WIRE™
ACCESSORY**

**MODEL
ACC0410**

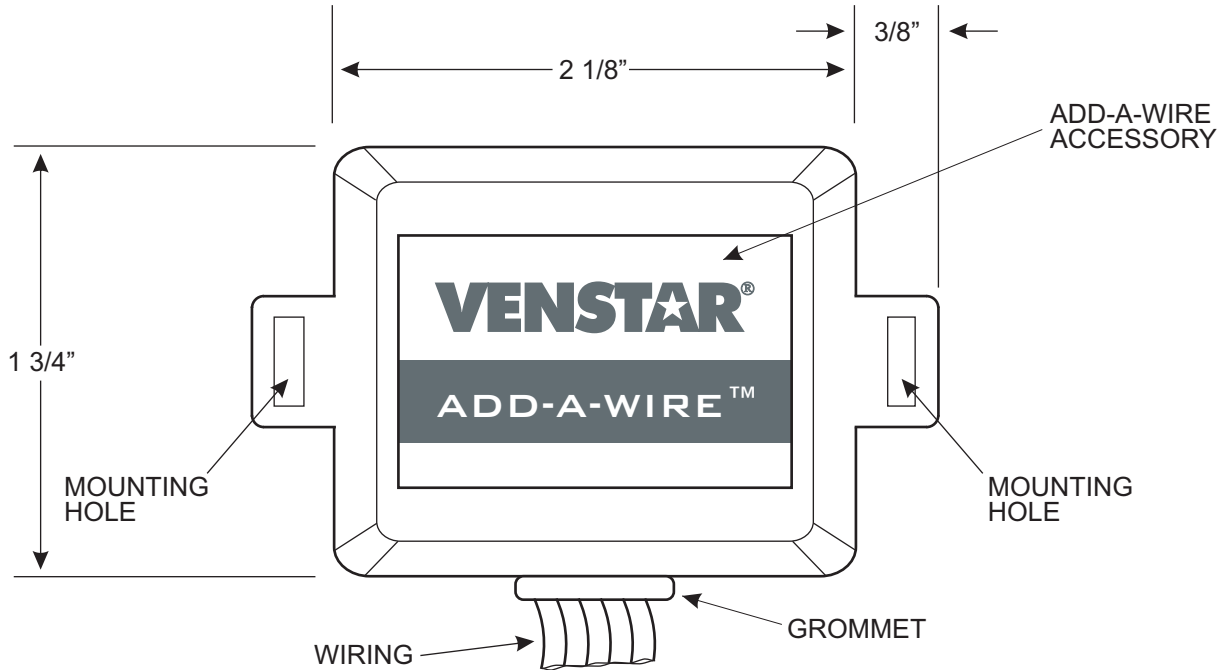
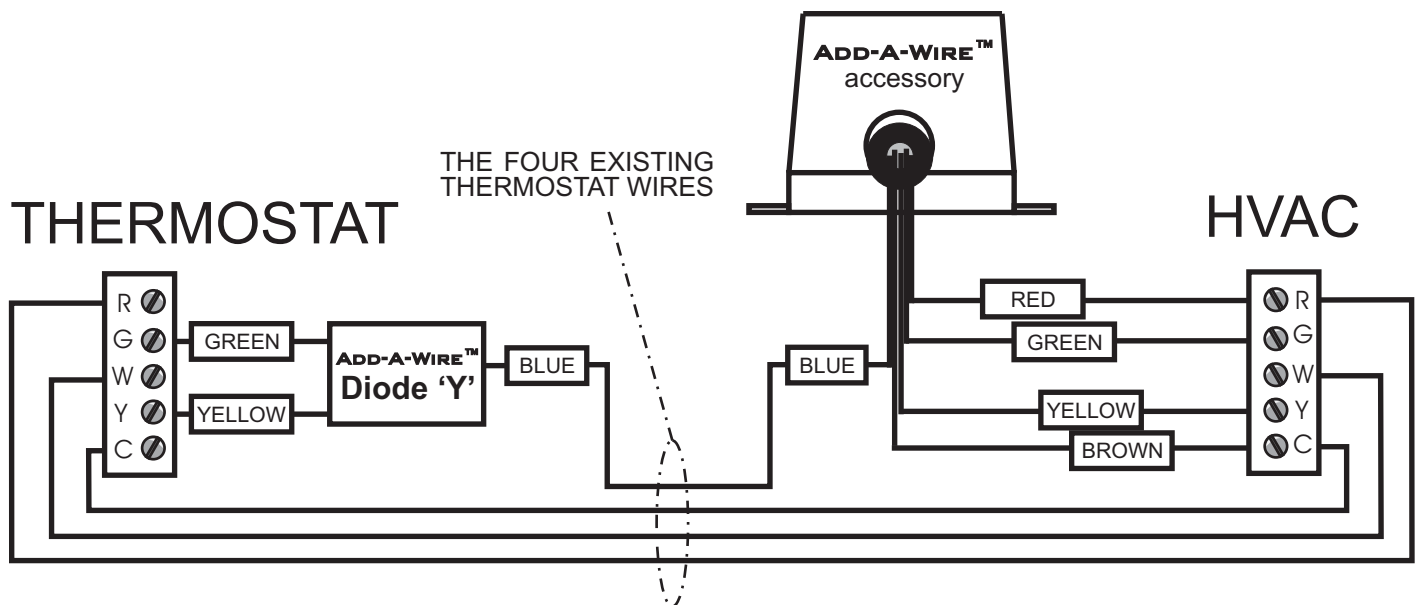
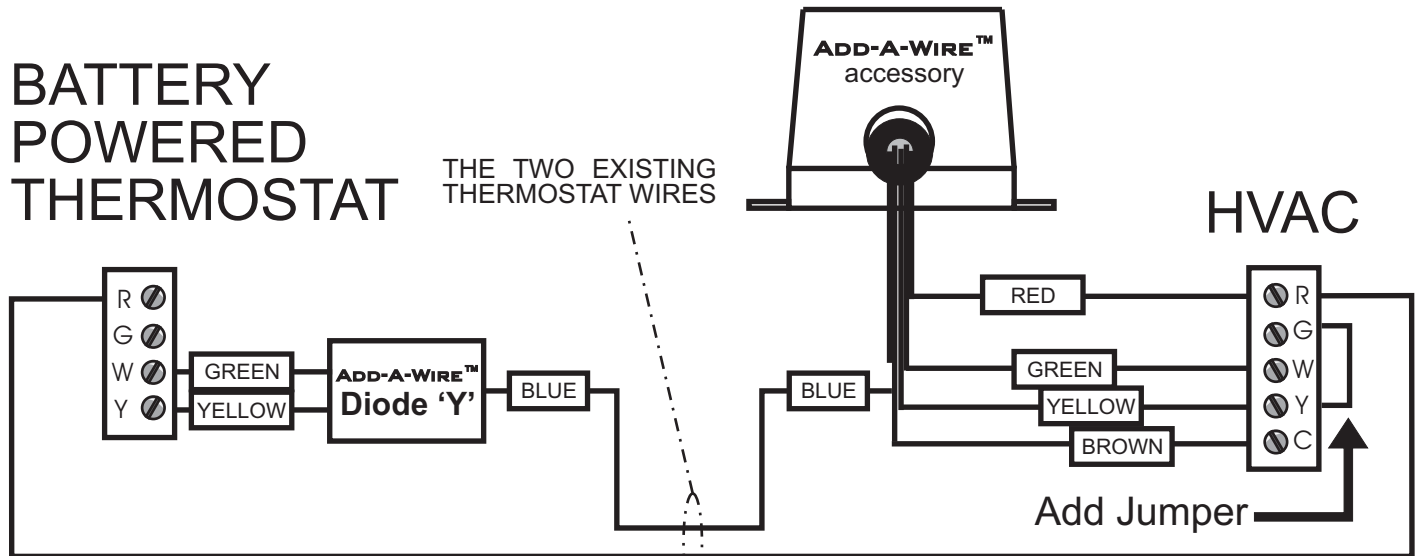


Fig.1 - ADD-A-WIRE™ Accessory Mounting

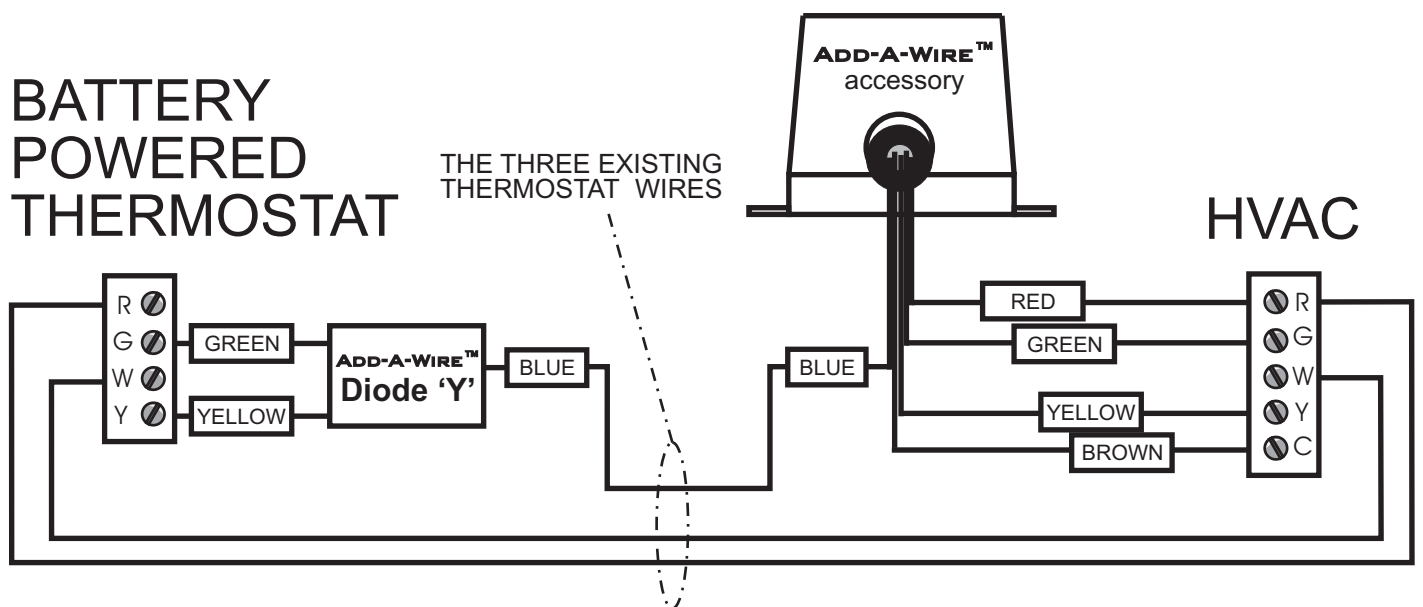
Sample Wiring Diagrams



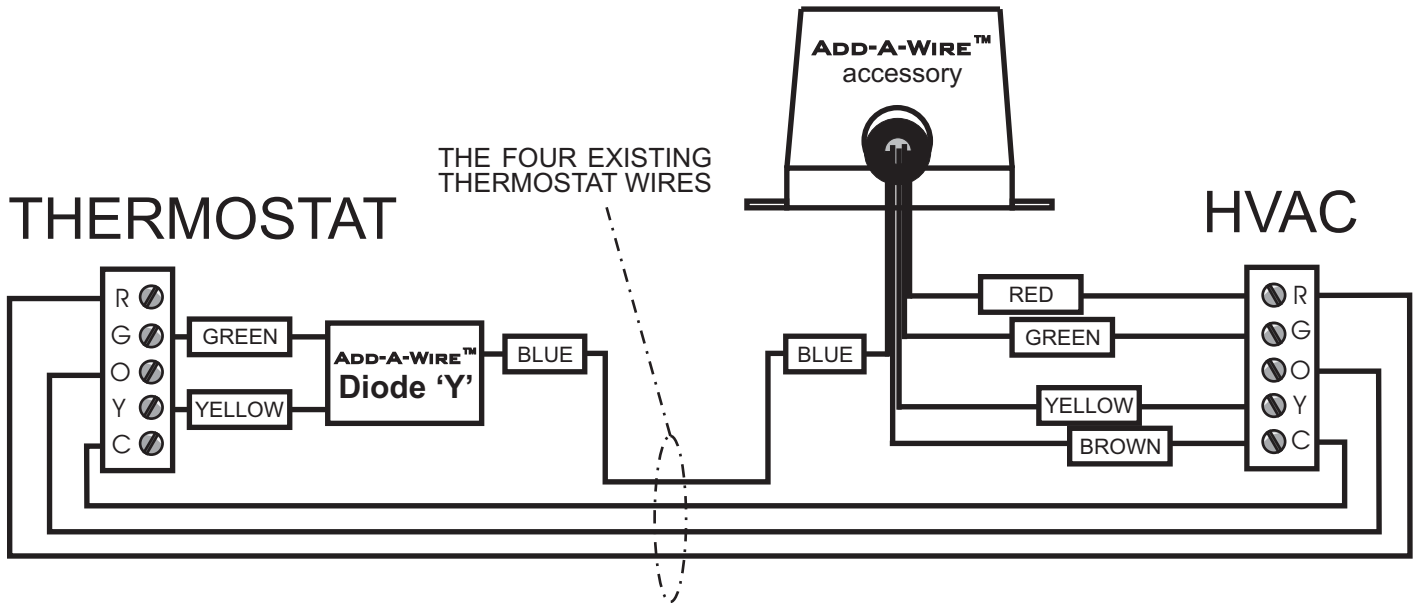
4 existing wires with **ADD-A-WIRE™** to accommodate a thermostat that requires 5 wires.

**BATTERY
POWERED
THERMOSTAT**

2 existing wires with **ADD-A-WIRE™** to accommodate heating and cooling. No independent fan switching. A jumper is required across G & Y.

**BATTERY
POWERED
THERMOSTAT**

3 existing wires with **ADD-A-WIRE™** to add cooling to a system that already has heating.



4 existing wires with ADD-A-WIRE™ to accommodate a single stage heat pump.