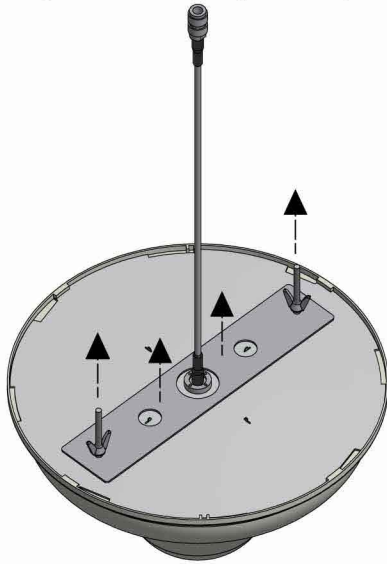


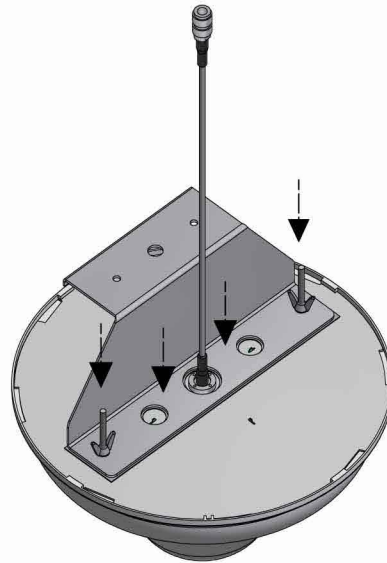
Notes:

1. Keep plastic insulator in place to separate antenna relector and 919057 bracket.
2. Mounting hardware is not included due to the ability of the bracket to be mounted to various types of materials and thickness.
3. Dimensions of cable are shown for reference only and may vary depending on used technique in Step 3 to bend the cable.

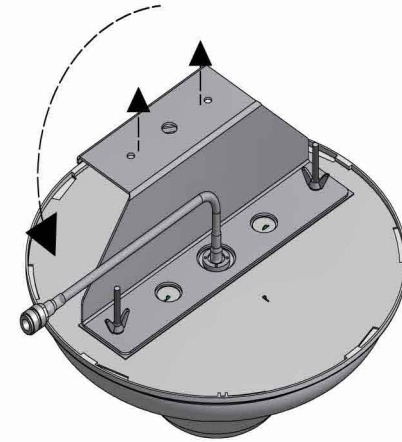
919057 Bracket Installation



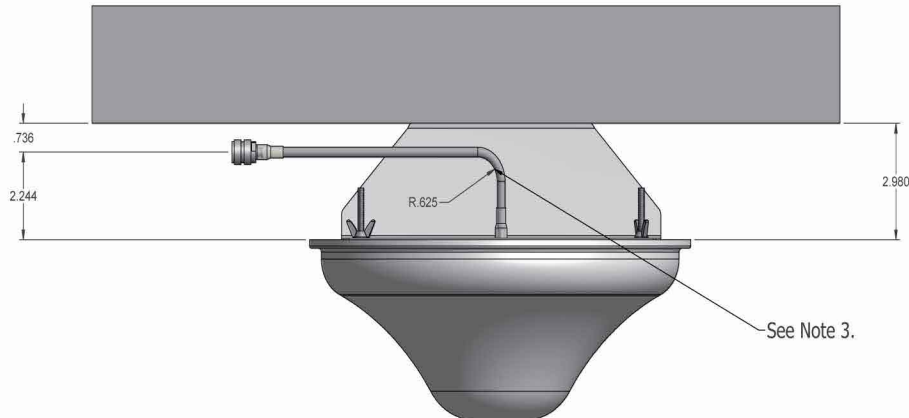
Step 1: Disassemble mounting plate by taking off wing nuts and lifting plate. (See Note 1.)




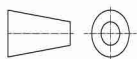
Step 2: Place 919057 bracket on mounting studs (As Shown) and secure with provided 10-32 wing nuts (2 PL).



Step 3: Hold the base of the cable and slowly bend the top to a 90° angle (As Shown). Using the proper mounting hardware mount 919057 bracket to the ceiling via 1/4" mounting holes. (See Note 2)



See Note 3.

UNLESS OTHERWISE SPECIFIED DIMENSIONS ARE IN INCHES TOLERANCES ON .XXXX ± .005 .XX ± .02 .XXX ± .010 .X ± .1 ANGLES ± .5°	DRAWN	NAME	DATE	 CSS ANTENNA, INC. 2208-D LAKESIDE BLVD EDGEWOOD, MARYLAND 21040 410-612-0080 FAX: 410-612-0338
	CHECKED		9/14/2012	
	APPROVED			
 THIRD ANGLE PROJECTION	THIS DRAWING AND THE INFORMATION CONTAINED HEREIN ARE THE PROPERTY OF CSS ANTENNA, INC. AND SHALL NOT BE REPRODUCED OR USED IN ANY MANNER WITHOUT WRITTEN PERMISSION			TITLE INSTALLATION INSTRUCTIONS
SIZE	DWG NO.	REV	FILE	819057-ID P1 SH 1 OF 1