



## CELLMAX-D-CPUSE-O

**Cell-Max™ Directional Outdoor Antenna, 698–960 MHz, 1710–2700 MHz**

- This product is part of the CommScope Wired for Wireless® Solution

### Electrical Specifications

Frequency Band, MHz	698–800	800–960	1710–2170	2200–2700
Gain, dBi	5.0	5.0	8.0	6.0
Beamwidth, Horizontal, degrees	110	90	90	90
Beamwidth, Vertical, degrees	100.0	65.0	65.0	65.0
VSWR   Return Loss, dB	1.8   10.9	1.5   14.0	1.5   14.0	1.5   14.0
Input Power per Port, maximum, watts	50	50	50	50
Polarization	Vertical	Vertical	Vertical	Vertical
Impedance	50 ohm	50 ohm	50 ohm	50 ohm

### General Specifications

Antenna Type	Directional
Application	Outdoor
Operating Frequency Band	1710 – 2700 MHz   698 – 960 MHz
Brand	Cell-Max™
Mount Type	4-hole wall mounting plate and hardware (included)
Package Quantity	1
Pigtail Cable	RG85U, plenum rated

### Mechanical Specifications

Color	White
Pigtail Length	260.0 mm   10.2 in
Radome Material	ABS, UV resistant
RF Connector Interface	N Female

### Environmental Specifications

Ingress Protection Test Method	IEC 60529:2001, IP66
Operating Temperature	-40 °C to +60 °C (-40 °F to +140 °F)
Relative Humidity	Up to 100%

### Dimensions

Depth	44.0 mm   1.7 in
Length	210.0 mm   8.3 in
Width	180.0 mm   7.1 in
Net Weight	0.4 kg   1.0 lb

CELLMAX-DCPUSE-O

---

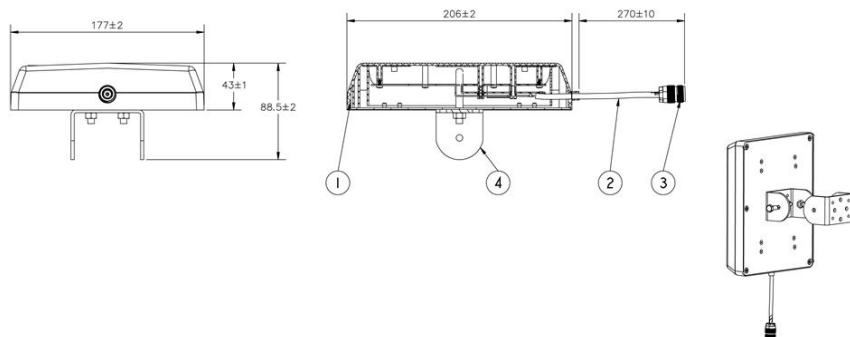
## Packed Dimensions

---

Depth	55.0 mm		2.2 in
Length	250.0 mm		9.8 in
Width	190.0 mm		7.5 in
Shipping Weight	0.6 kg		1.3 lb

CELLMAX-D-CPUSE-O

## Outline Drawing



## Regulatory Compliance/Certifications

Agency	Classification
RoHS 2011/65/EU	Compliant by Exemption
ISO 9001:2008	Designed, manufactured and/or distributed under this quality management system

