

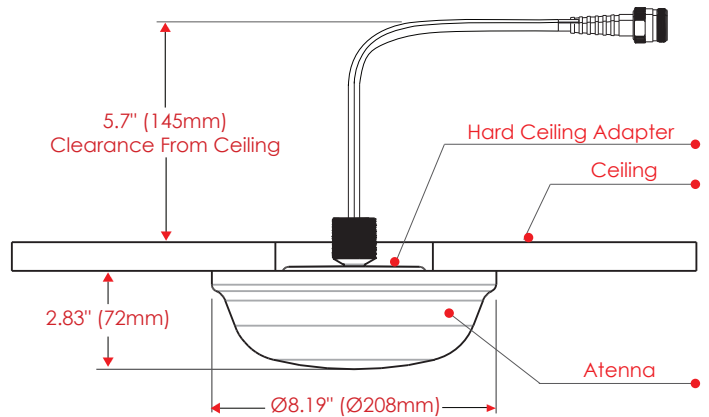
Hard Ceiling Adapter

For PEAR™ M5542, M6319
Hard Ceiling Installation

DESCRIPTION:

Galtronics' hard ceiling adapter mount offers an easy installation solution for Galtronics' PEAR M5542, M6319 antennas to hard ceiling not requiring a second access hole. *Mounting hardware is not included.* Make sure selected fasteners are appropriate based on the ceiling material to which the hard ceiling mount is attached to. The hard ceiling adapter does not add to the antenna height.

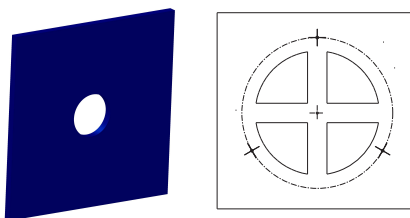
Specifications	
Model Number	62-31-09
Environmental Conditions	Indoor
Weight	0.082 lbs (0.037kg)
Hard Ceiling Mount Color	White
Hard Ceiling Mount Material	PC/ABS
Clearance From Ceiling	5.7" (145mm)
Total Height	2.83" (72mm)
Mounting Hardware	Not Included



Assembly Instructions for the M5542, M6319 Hard Ceiling Adapter:

A.

Cut a hole with a diameter of Ø4.5" (115 mm) through the ceiling and mark holes for countersunk head screws Ø3.5 mm / 0.137" using the provided drilling template P/N 21-392-03

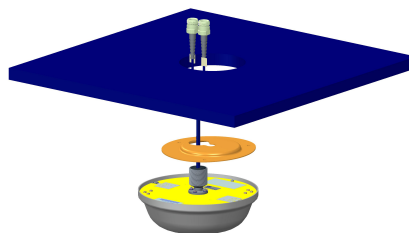


Drill Template

1. Mark center of center hole using template
2. Mark center of 3 screws M3.5
3. Cut center hole
4. Attach adapter with 3 screws M3.5

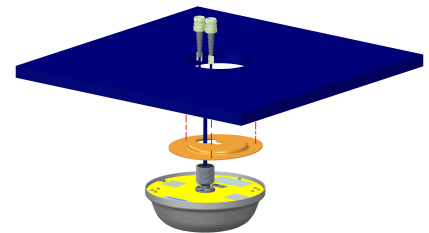
B.

Thread the antenna Pigtail through the ceiling adapter and connect the antenna to the DAS system coax cable



C.

Place the hard ceiling Adapter in the center hole and attach it with 3 countersunk head screws Ø3.5 mm / 0.137" suitable for the ceiling material (not provided)



D.

Insert the antenna into the hard ceiling adapter, push it towards the ceiling and lock it. ("a click sound should be heard") as shown in below illustration

