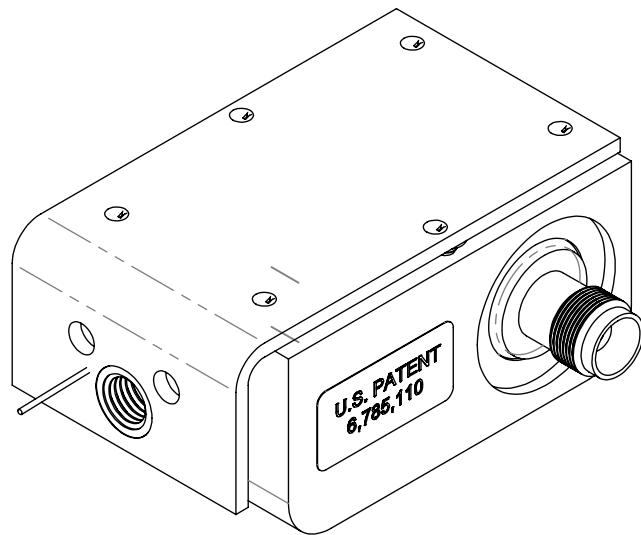
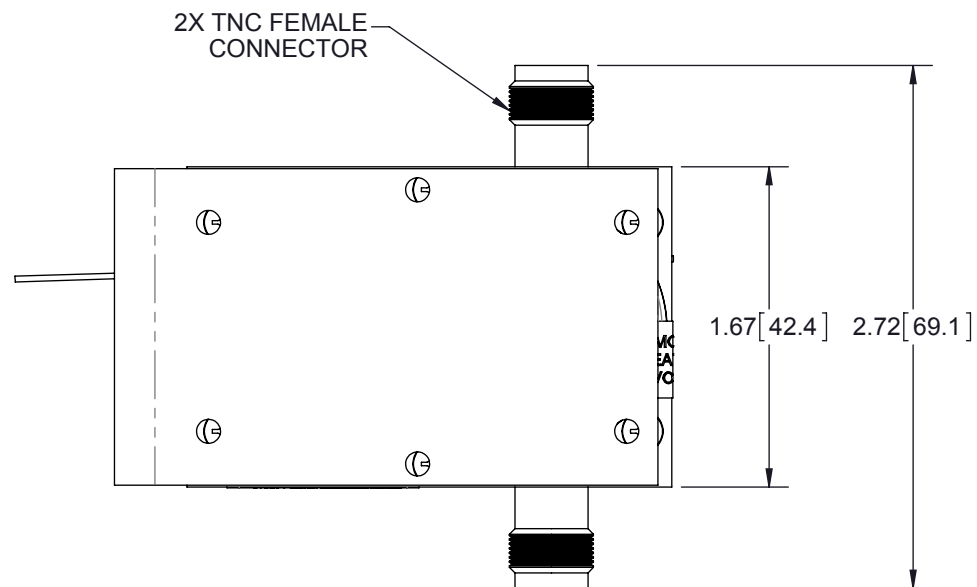
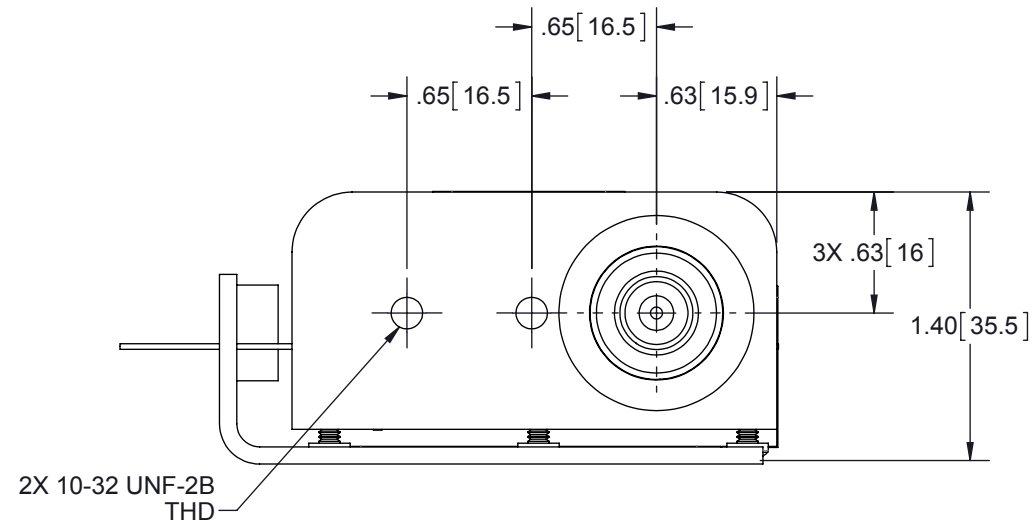
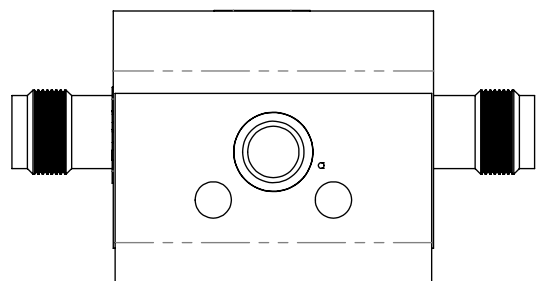
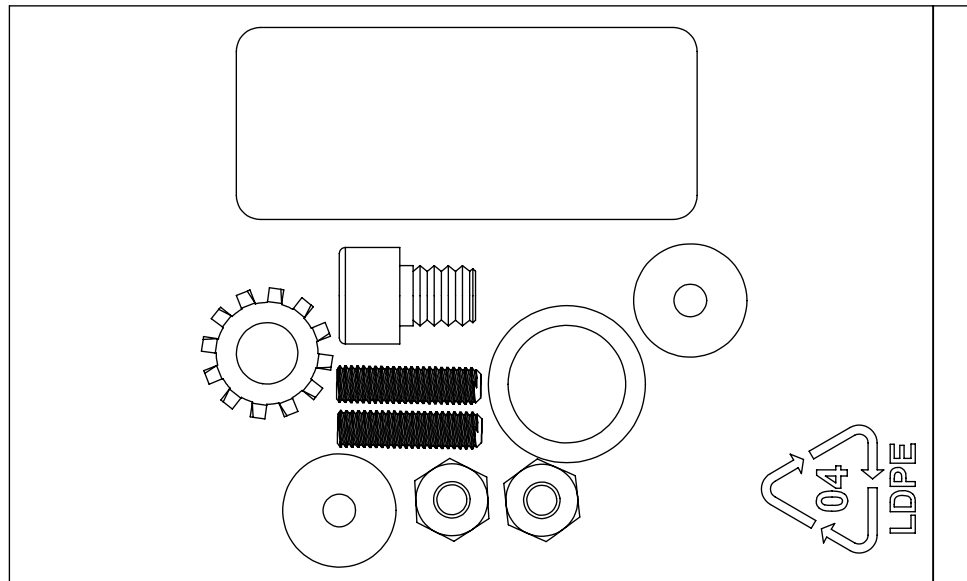


REVISIONS				
REV.	DESCRIPTION	ECN	DATE	APPROVED
H	REFER TO ECN	11905	7/30/13	KCB



MAXIMUM CHARACTERISTICS

Application:
 Used where DC voltage is required
 Ideal for GPS
 Weatherized Flange or Bulkhead Mount

Electrical Performance:
 Frequency Range: 800MHz to 2500MHz
 VSWR: ≤1.1:1 Over Frequency Range
 Insertion Loss: ≤0.1dB Over Frequency Range
 Power: 300Wrms Average
 Turn On: ±16.5Vdc
 Turn On Time: 4ns For 2kV/ns
 Max Surge: 20kA IEC 61000-4-5 8/20µs Waveform
 Throughput Energy: ≤500µJ for 3kA @ 8/20µs Waveform
 User Voltage: +15Vdc Max
 Usage Current: ≤4.0A Continuous

Mechanical:
 Dimensions: 2.72" x 2.82" x 1.40"
 Weight: .35lbs

Environmental:
 Meets IEC 60529 IP67
 Meets Bellcore #TA-NWT-000487
 Procedure 4.11, Wind Driven (120mph) Rain Intrusion Test.
 Operating temperature: -50°C to +85°C
 Relative Humidity: To 95%

CE Compliant
 RoHS Compliant

CUSTOMER APPROVAL: _____ DATE: _____

ALL DIMENSIONS SHOWN ARE FOR REFERENCE ONLY.

UNLESS OTHERWISE SPECIFIED LEADING DIMENSIONS ARE INCHES DIMENSIONS IN [] ARE MILLIMETERS	DRAWN	SH	DATE				
	ENG APPD	KCB	11/04/03				
	PRODUCT MGR	LJ	11/10/03				
	MARKETING APPD	PH	11/10/03				
TOLERANCES: FRACTIONS=± 1/32 .XX=± .01 ANGLES=± 1° .XXX=± .005	MATERIAL	PROJECT NO.		TITLE			
THIRD-ANGLE PROJECTION				800-2500MHZ BROADBAND CUSTOMER SPECIFICATION			
				SIZE	CAGE	PART NUMBER	REV
NOTICE: THE INFORMATION AND DESIGN IN THIS DOCUMENT IS THE PROPERTY OF TRANSECTOR SYSTEMS. ALL RIGHTS RESERVED.				B	61114	DGXZ+15TFTF-A	H
				SCALE	PROD CAT	DOCUMENT NAME	SHEET
				1:1	RFP	DGXZ+15TFTF-A-C	1 OF 1

THESE COMMODITIES, TECHNOLOGY OR SOFTWARE WERE EXPORTED FROM THE UNITED STATES IN ACCORDANCE WITH THE EXPORT ADMINISTRATION REGULATIONS. DIVERSION CONTRARY TO U.S. LAW PROHIBITED.