

BTRM 400

Battery Test Remote Monitor



Are your remote-site UPS batteries healthy? Many remote sites that have wired or wireless equipment for relaying critical data are designed with battery backup systems. However, batteries have an operational lifespan that can be reduced by environmental factors. Ventev's Battery Test Remote Monitor (BTRM) performs automatic battery load tests and sends exception reports via SNMP, text or email using Ethernet or DNP3 communication protocols.

The Ventev BTRM-400 is covered by the company's one-year TerraNet warranty program.

For more information or to purchase, contact Ventev: 800.851.4965 or sales@ventev.com.

SPECIFICATIONS

Sku:

246962

Product Number:

BTRM-400

Dimensions:

6.25" x 2.8" x 1.2"

Weight:

5.0 oz (142 g)

Firmware: Please visit [Ventev BTRM Firmware](#) page for more details.

APPLICATIONS

Ideal for Remote UPS and Solar Power Systems including Oil and Gas or Utility SCADA systems for wireless remote monitoring, Smart Grid, AMI/AMR, security and surveillance.

- The BTRM alarm triggers when batteries fail to meet minimum capacity requirements or have low battery voltage.
- The BTRM issues the appropriate message to the Network Operations Center and/or activates one of the unit's alarm contacts

FEATURES AND BENEFITS

- Allows reliable testing using the system's own load to evaluate battery health in real-time
- Saves money by ensuring you only replace batteries when they are near end-of-life but before they fail
- Consolidate your truck rolls for battery replacement when a crew will already be in the area
- Support for the latest in Ethernet communications including SNMP and DNP3
- Provides peace of mind that if widespread power fails, all systems will operate for the designed amount of back-up time
- A two-channel RTU using dry contacts that can be configured for additional I/O Door alarm

BTRM 400

Battery Test Remote Monitor

As batteries age their capacity slowly deteriorates until they need replacement. Batteries can also develop an internal fault suddenly that limits their capacity. When batteries are used 24/7 this can result in premature, or in some cases immediate, system shutdown. Although a battery's state of charge can be inferred by monitoring the battery terminal voltage while in standby mode, this voltage will not give an indication of actual capacity. A battery that is marginal may not be detected until it is called upon to perform during inclement weather, at which point it is too late to prevent a system failure. For a battery connected to a solar controller that maintains a voltage, neither condition can be checked. In these cases, the BTRM is designed to evaluate battery capacity transparently to system operation and provide a network-based notification should the battery fail, or its capacity drops below a specified level. This also allows batteries that exceed their nominal lifetime to remain in service, provided they meet capacity requirements.

Web-based GUI

- IP Addressable
- Name each device for location or coordinates
- Configure testing parameters

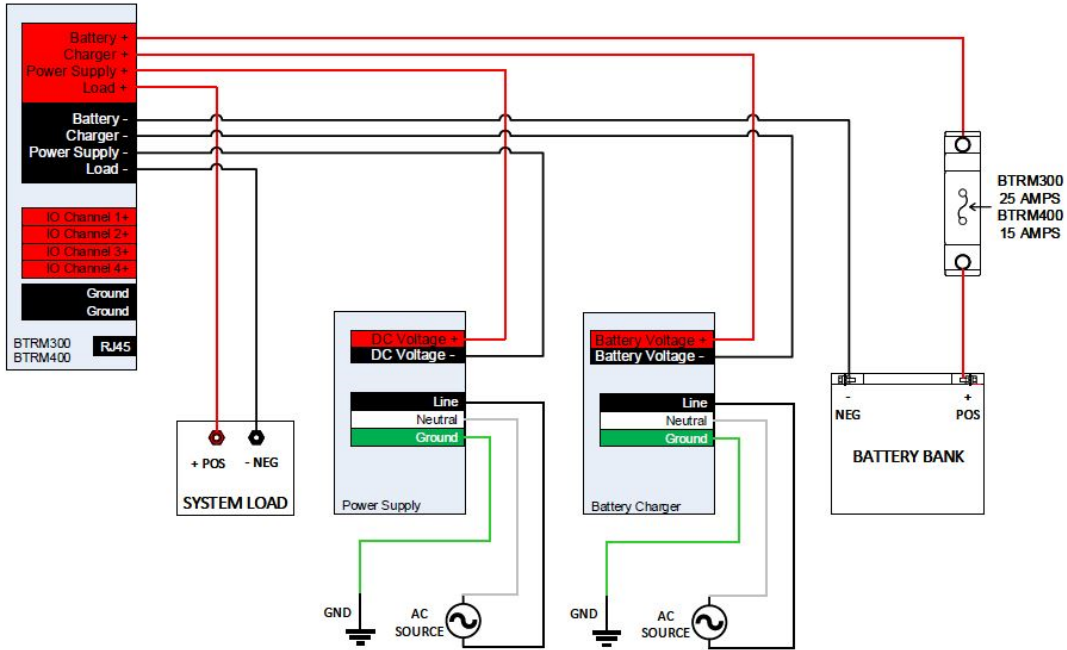
BTRM 400	
OPERATING VOLTAGE	9 to 60 VDC
Battery Max Current	10 A Continuous
Charger Max Current	10 A Continuous
Load Max Current	10 A Continuous
Battery & Charger Voltage Measurement	0 to 60V ± 1%
Current Measurement	0 to 10 Amps ± 1%
Operating Temperature Range	-40° C to 60° C
Humidity	5% to 95% Non-Condensing
Mounting	DIN Rail

System Status
Battery Status
Battery Test
Manual Test
Port Options
E-Mail Configuration
E-mail Test
Network Configuration
DNP3 Modbus Configuration
SNMP Configuration
SNMP MIB File
Help
Authorization
About

System: 730 Northern			
●			
Status			
Battery Voltage	13.39		
Battery Current	-0.06		
Load Current	1.04		
Supply Voltage	13.41		
System Temp	27 °C		
Capacity	Good		
IO Channels			
Channel	Analog V	Digital In	Digital Out
CH1	0.0	OFF	OFF
CH2	0.0	OFF	
CH3	13.1		
CH4	0.0		
Test Status		OFF	
UPS Mode		OFF	
UPS Mode Status		OFF	
System Up Time: 7 Days 02:27			
Low Voltage Shutdown: Disabled			

BTRM 400 Battery Test Remote Monitor

BTRM UPS Wiring Diagram



BTRM UPS Alarm Wiring Diagram

